

Revision	Date	Description	Signed
1.0	17.06.2019	initial project creation	DS
2.0	1.10.2019	replaced senslab chip with FTDI	DS
2.1	25.11.2019	changed project name, changed renesas jumper variant	SU
3.0	19.12.2019	solder jumper replaced with tht jumper	DS
4.0	30.11.2020	added Maxim Module to Dev Board	DS
5.0	11.01.2021	added RF matching for MAXIM Module	DS
6.0	27.07.2021	change maxim module dc/dc converter add SX1280 module	SU

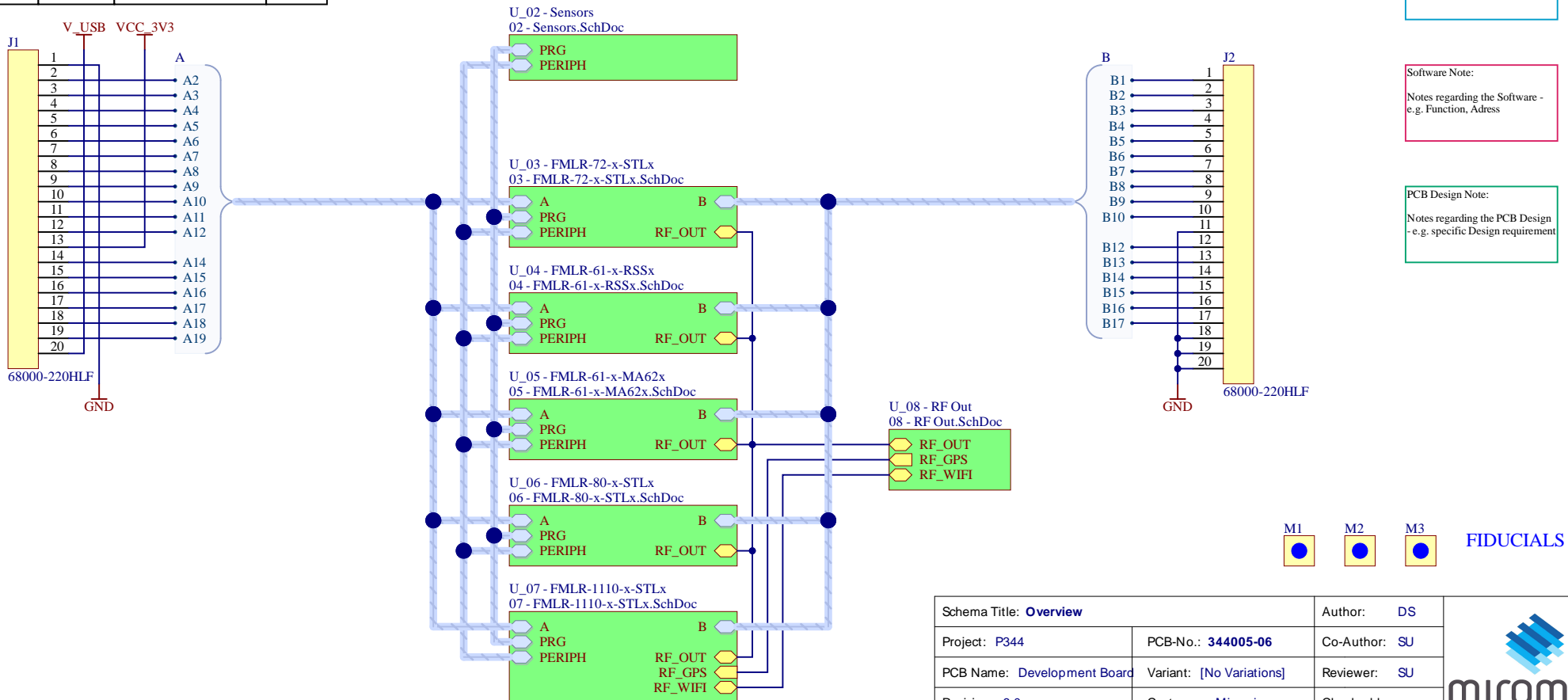
Variant	Description	Date	Signed
STM32	STM32 Module will be used	17.06.2019	DS
Renesas	Renesas Module will be used	17.06.2019	DS
Maxim	Maxim Module will be used	20.11.2020	DS
FMLR-80	SX1280 Module will be used	27.07.2021	SU
FMLR-1110	LR1110 Module will be used	27.07.2021	SU

Variant used for output data: [No Variations]

Hardware Note:
Notes regarding the Hardware - e.g. Function

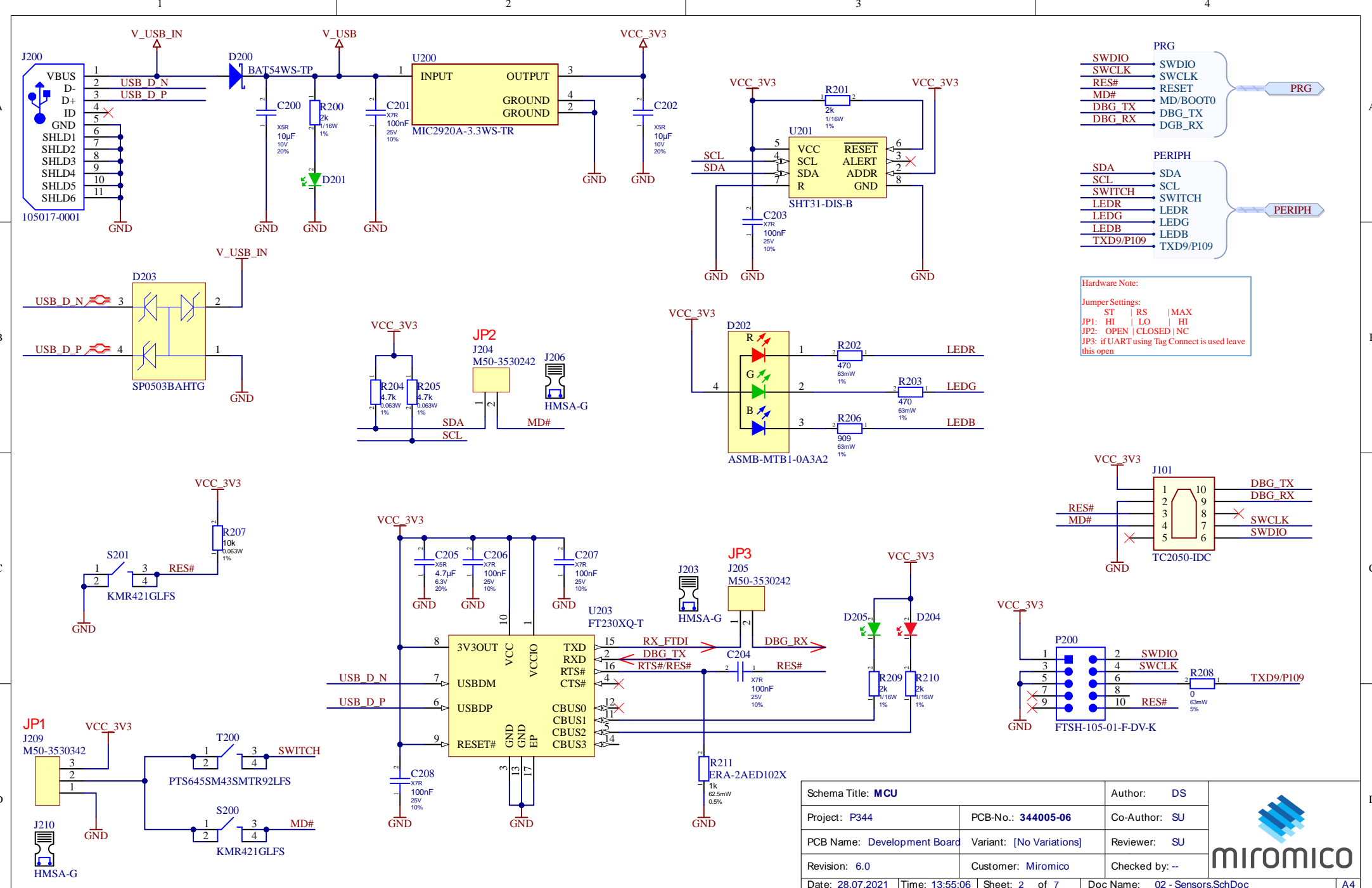
Software Note:
Notes regarding the Software - e.g. Function, Address

PCB Design Note:
Notes regarding the PCB Design - e.g. specific Design requirement



Schema Title: Overview		Author: DS
Project: P344	PCB-No.: 344005-06	Co-Author: SU
PCB Name: Development Board	Variant: [No Variations]	Reviewer: SU
Revision: 6.0	Customer: Miromico	Checked by: --
Date: 28.07.2021	Time: 13:55:06	Sheet: 1 of 7
Doc Name: 01 - Overview.SchDoc		A4






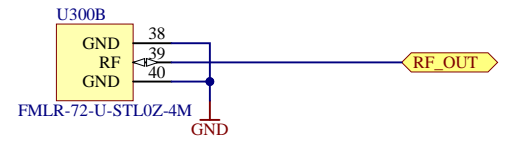
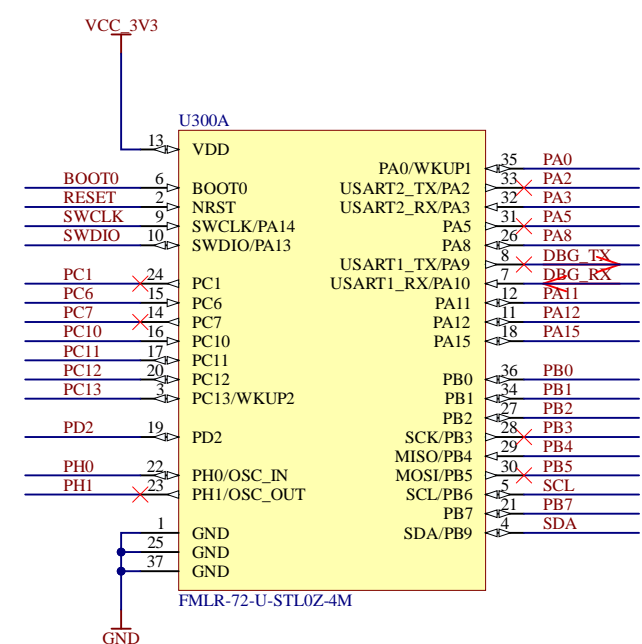
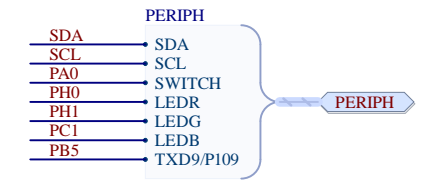
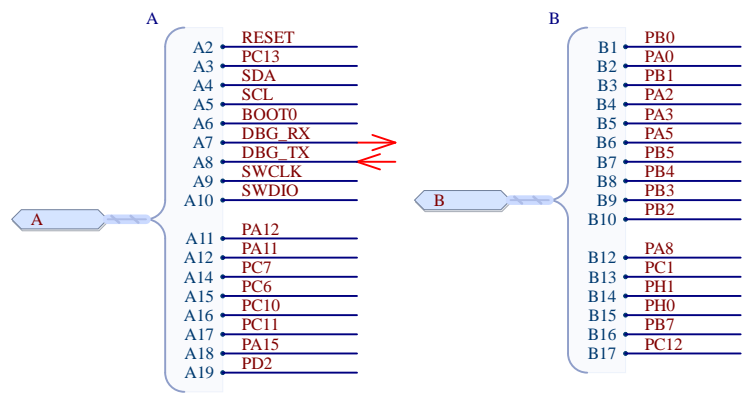
- PRG**
- SWDIO → SWDIO
 - SWCLK → SWCLK
 - RES# → RESET
 - MD# → MD/BOOT0
 - DBG_TX → DBG_TX
 - DBG_RX → DBG_RX
- PERIPH**
- SDA → SDA
 - SCL → SCL
 - SWITCH → SWITCH
 - LEDR → LEDR
 - LEDG → LEDG
 - LEDB → LEDB
 - TXD9/P109 → TXD9/P109

Hardware Note:

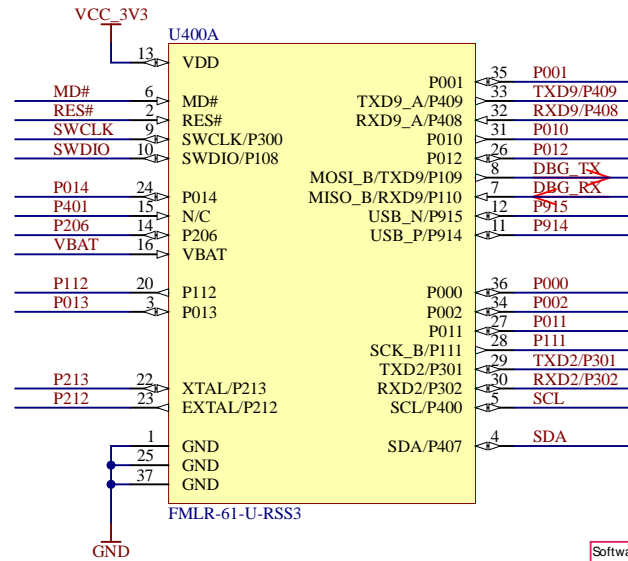
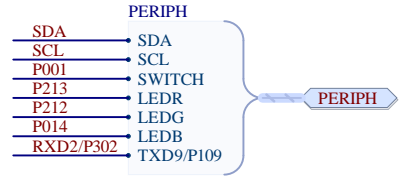
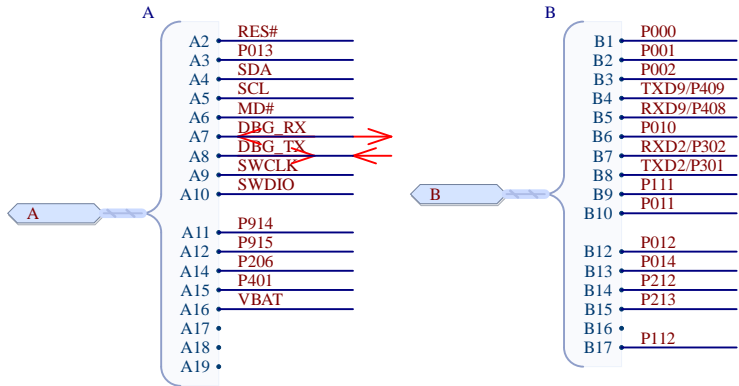
Jumper Settings:

ST | RS | MAX
 JP1: HI | LO | HI
 JP2: OPEN | CLOSED | NC
 JP3: if UART using Tag Connect is used leave this open

Schema Title: MCU		Author: DS	
Project: P344	PCB-No.: 344005-06	Co-Author: SU	
PCB Name: Development Board	Variant: [No Variations]	Reviewer: SU	
Revision: 6.0	Customer: Miromico	Checked by: --	
Date: 28.07.2021	Time: 13:55:06	Sheet: 2 of 7	Doc Name: 02 - Sensors.SchDoc

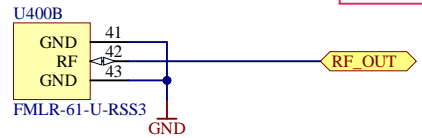



Schema Title: MCU		Author: DS	
Project: P344	PCB-No.: 344005-06	Co-Author: SU	
PCB Name: Development Board	Variant: [No Variations]	Reviewer: SU	
Revision: 6.0	Customer: Miromico	Checked by: --	
Date: 28.07.2021	Time: 13:55:06	Sheet: 3 of 7	
Doc Name: 03 - FMLR-72-x-STLx.SchDoc		A4	



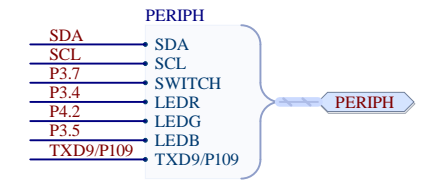
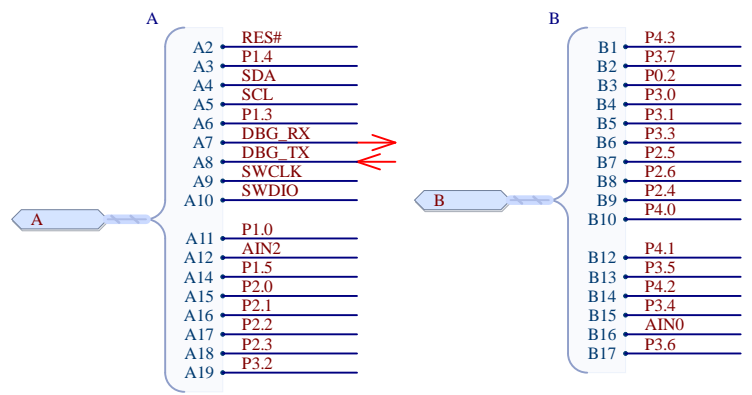
Software Note:

Programming Modes:
 P407 Low - UART programming
 P407 High - USB programming

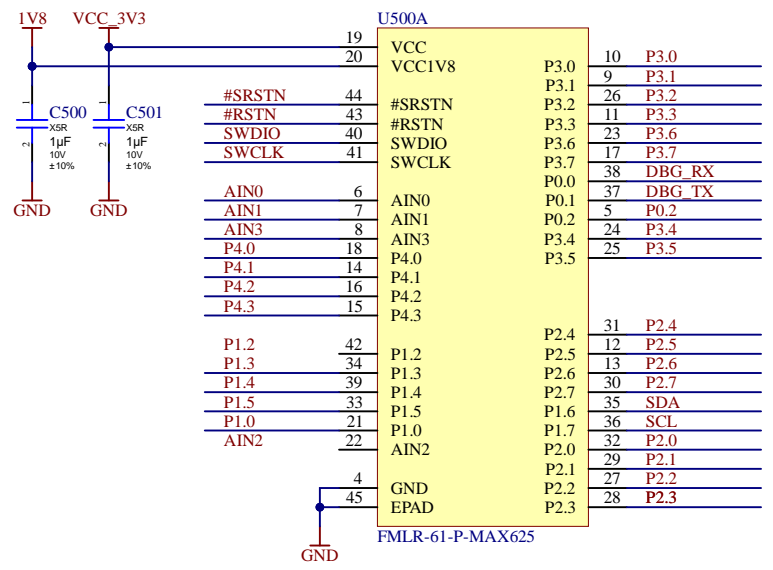
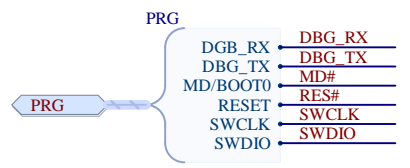


Schema Title: MCU		Author: DS	
Project: P344	PCB-No.: 344005-06	Co-Author: SU	
PCB Name: Development Board	Variant: [No Variations]	Reviewer: SU	
Revision: 6.0	Customer: Miromico	Checked by: --	
Date: 28.07.2021	Time: 13:55:06	Sheet: 4 of 7	
Doc Name: 04 - FMLR-61-x-RSSx.SchDoc		A4	

A

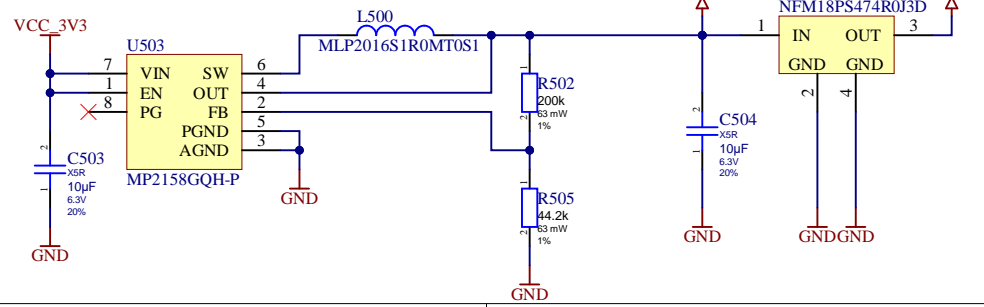


B

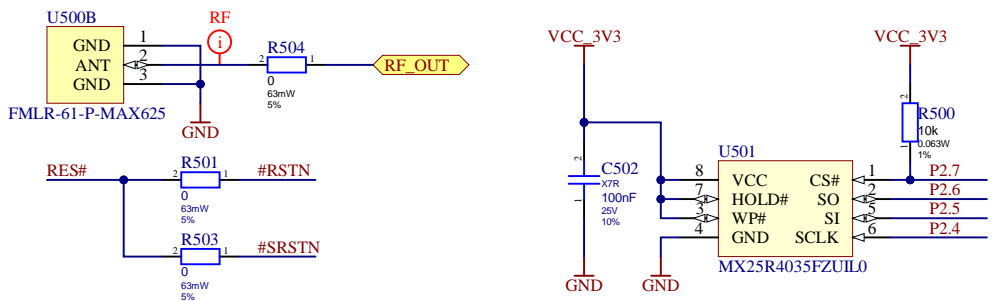


C

Power Supply



D



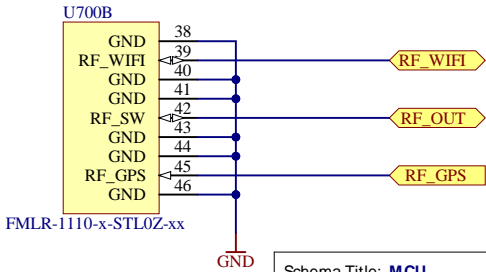
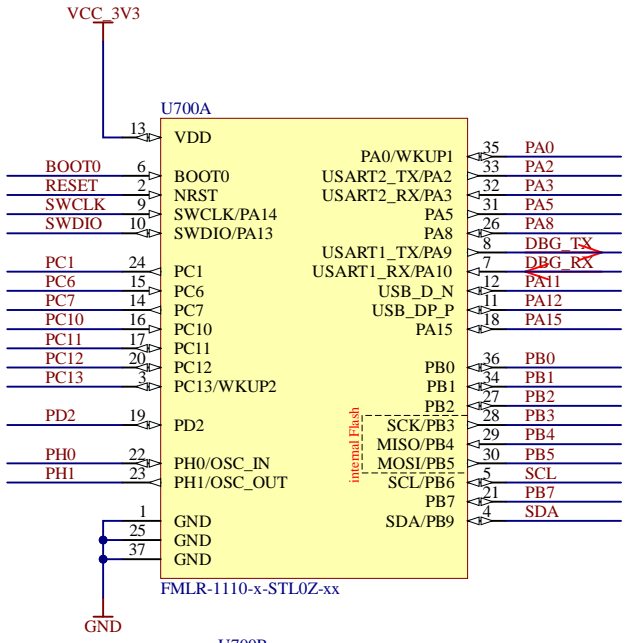
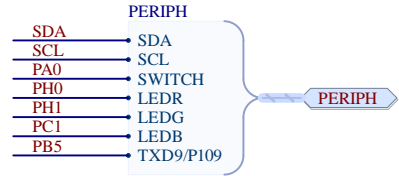
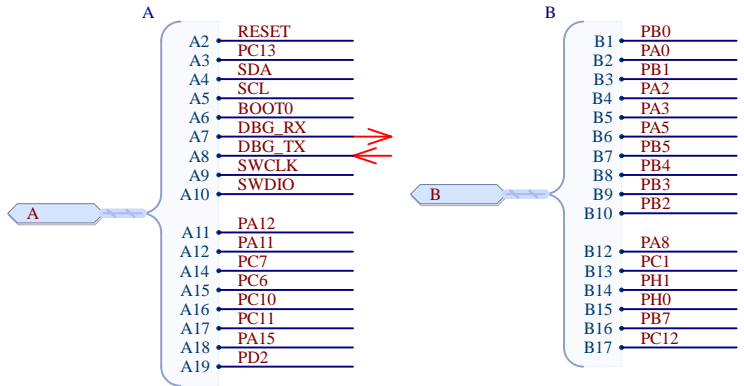
Schema Title: MCU		Author: DS	
Project: P344	PCB-No.: 344005-06	Co-Author: SU	
PCB Name: Development Board	Variant: [No Variations]	Reviewer: SU	
Revision: 6.0	Customer: Miromico	Checked by: --	
Date: 28.07.2021	Time: 13:55:06	Sheet: 5 of 7	
Doc Name: 05 - FMLR-61-x-MA62x.SchDoc		A4	

A

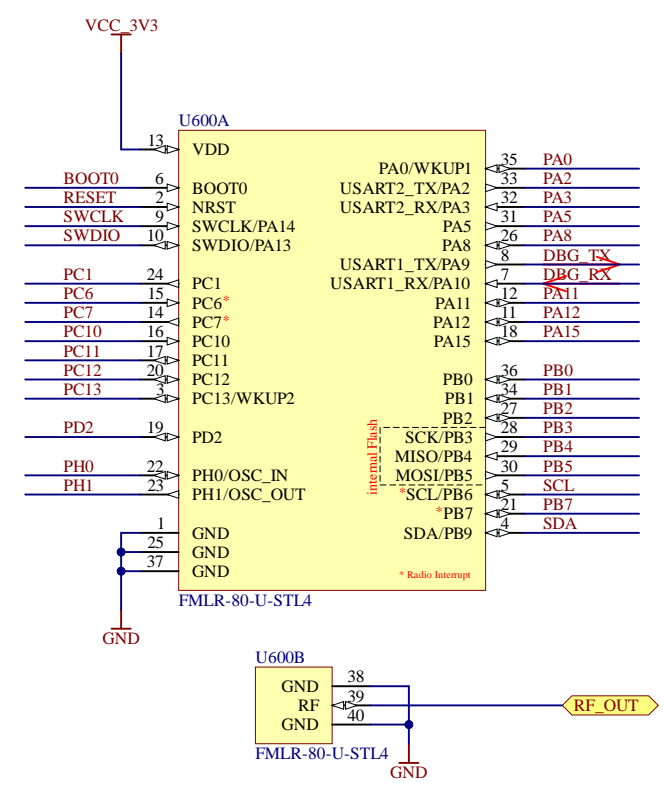
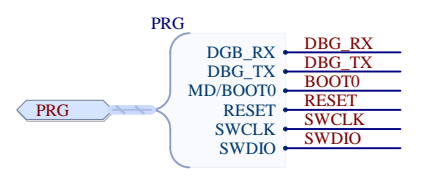
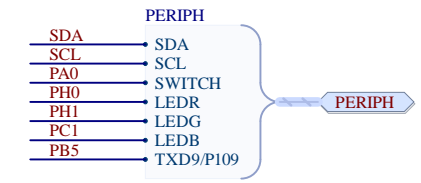
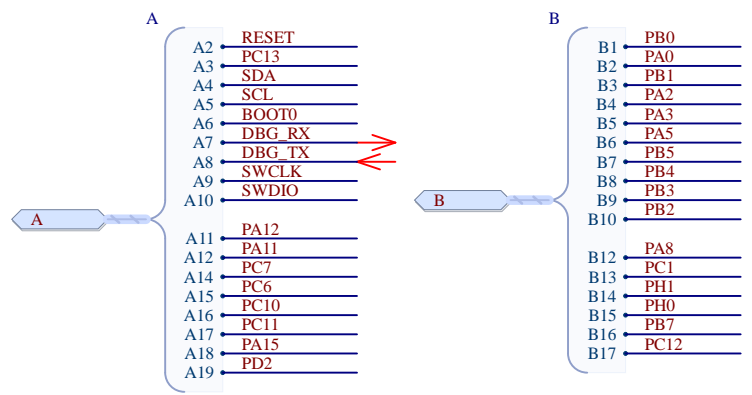
B


C

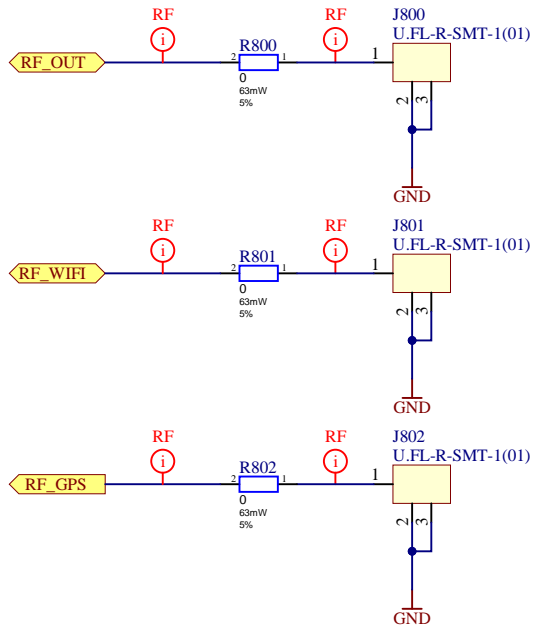
D




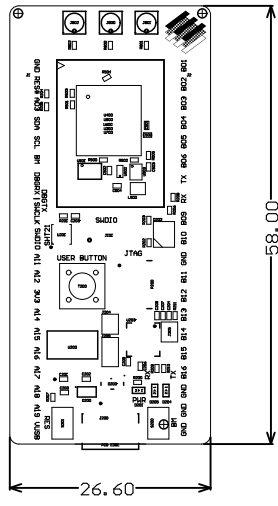
Schema Title: MCU		Author: DS	
Project: P344	PCB-No.: 344005-06	Co-Author: SU	
PCB Name: Development Board	Variant: [No Variations]	Reviewer: SU	
Revision: 6.0	Customer: Miromico	Checked by: --	
Date: 28.07.2021	Time: 13:55:06	Sheet: 6 of 7	
Doc Name: 07 - FMLR-1110-x-STLx.SchDoc			



Schema Title: MCU		Author: DS	
Project: P344	PCB-No.: 344005-06	Co-Author: SU	
PCB Name: Development Board	Variant: [No Variations]	Reviewer: SU	
Revision: 6.0	Customer: Miromico	Checked by: --	
Date: 28.07.2021	Time: 13:55:06	Sheet: 6 of 7	
Doc Name: 06 - FMLR-80-x-STLx.SchDoc		A4	



Schema Title: MCU		Author: DS	
Project: P344	PCB-No.: 344005-06	Co-Author: SU	
PCB Name: Development Board	Variant: [No Variations]	Reviewer: SU	
Revision: 6.0	Customer: Miromico	Checked by: --	
Date: 28.07.2021	Time: 13:55:06	Sheet: 7 of 7	Doc Name: 08 - RF Out.SchDoc



Top Assembly Drawing		
PCB Name: Development Board		
Customer: Miromico		
Author: DS	Project: P344	Revision: 6
Date: 28.07.2021	Time: 13:55:08	
Miromico AG		

