

Revision	Date	Description	Signed
1.0	17.06.2019	initial project creation	DS
2.0	1.10.2019	replaced senslab chip with FTDI	DS
2.1	25.11.2019	changed project name, changed renesas jumper variant	SU
3.0	19.12.2019	solder jumper replaced with tht jumper	DS
4.0	30.11.2020	added Maxim Module to Dev Board	DS
5.0	11.01.2021	added RF matching for MAXIM Module	DS
6.0	27.07.2021	change maxim module dcdc converter add SX1280 module	SU
7.G	13.04.2022	Add Segger on-board debugger	LP

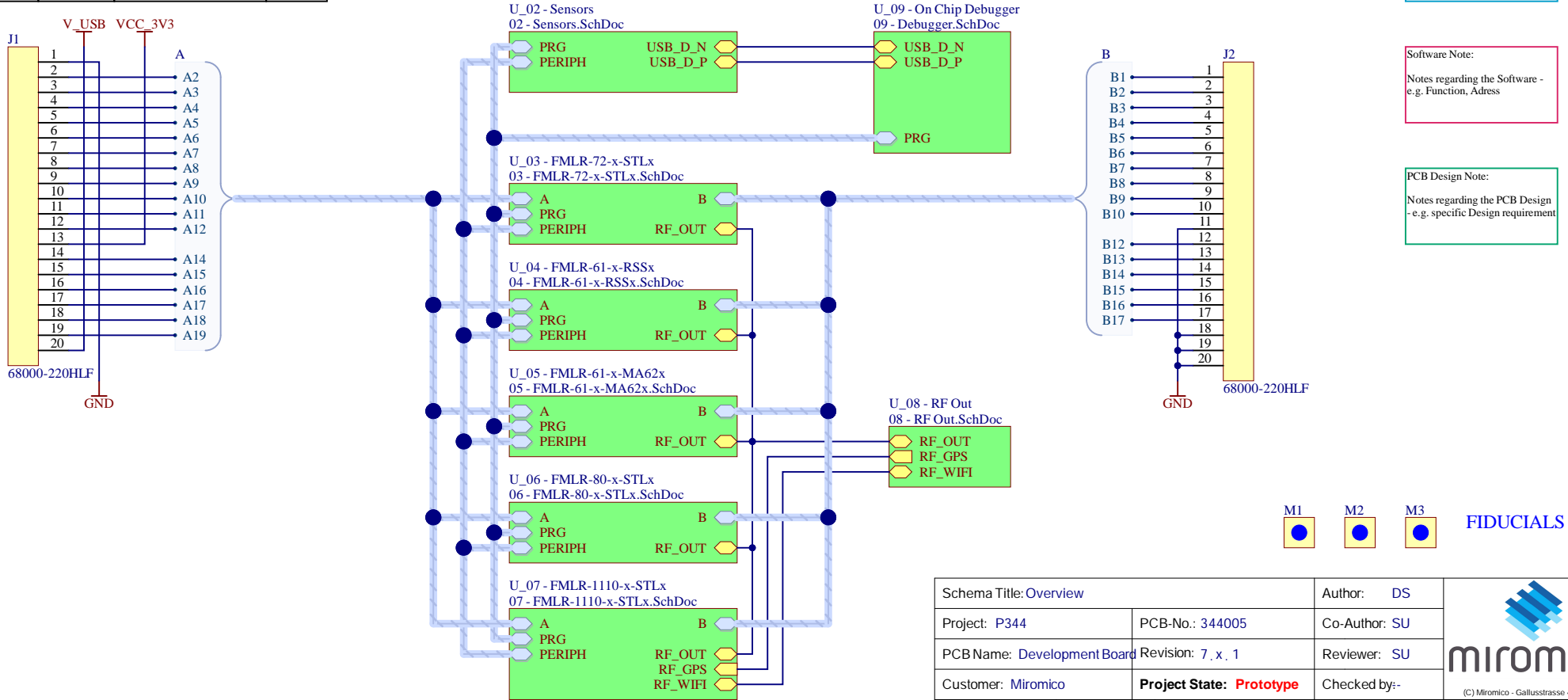
Variant	Name	Description	Date	Signed
1	STM32	STM32 Module will be used	17.06.2019	DS
2	Renesas	Renesas Module will be used	17.06.2019	DS
3	Maxim	Maxim Module will be used	20.11.2020	DS
4	FMLR-80	SX1280 Module will be used	27.07.2021	SU
5	FMLR-1110	LR1110 Module will be used	27.07.2021	SU


Variant used for output data: 1

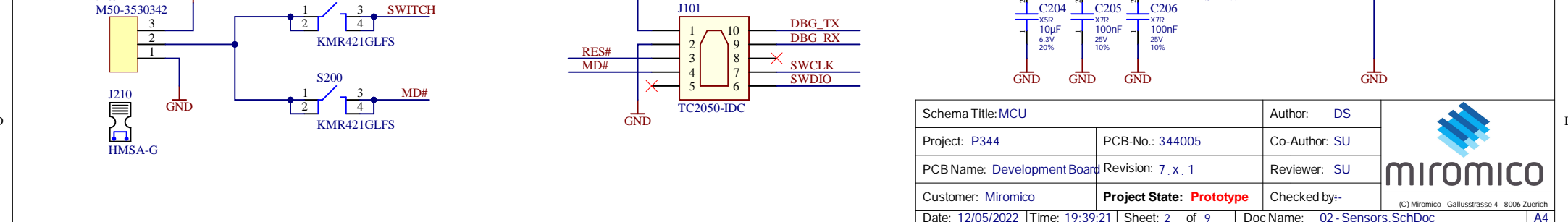
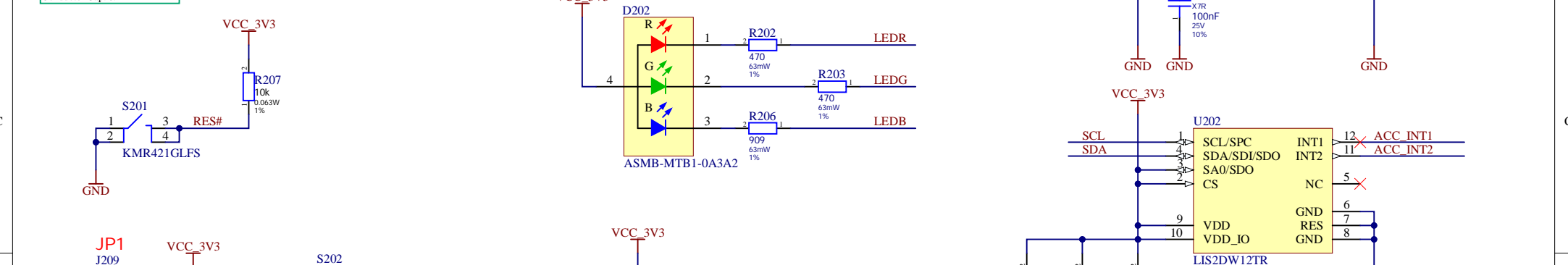
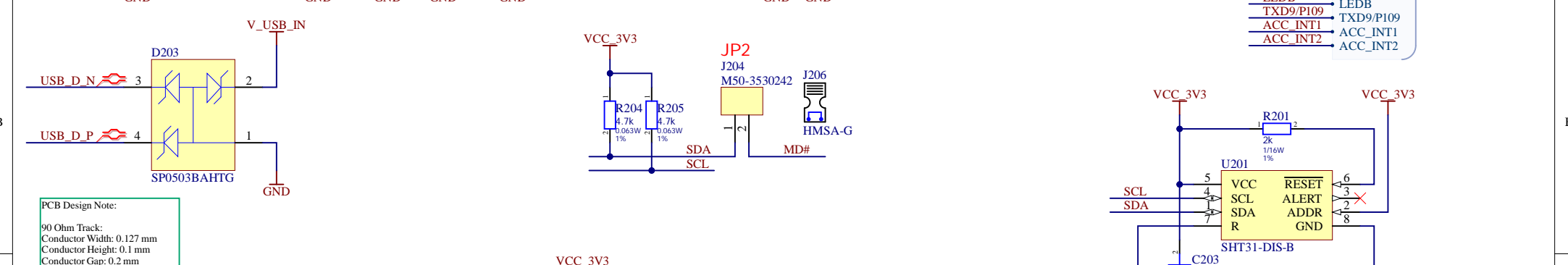
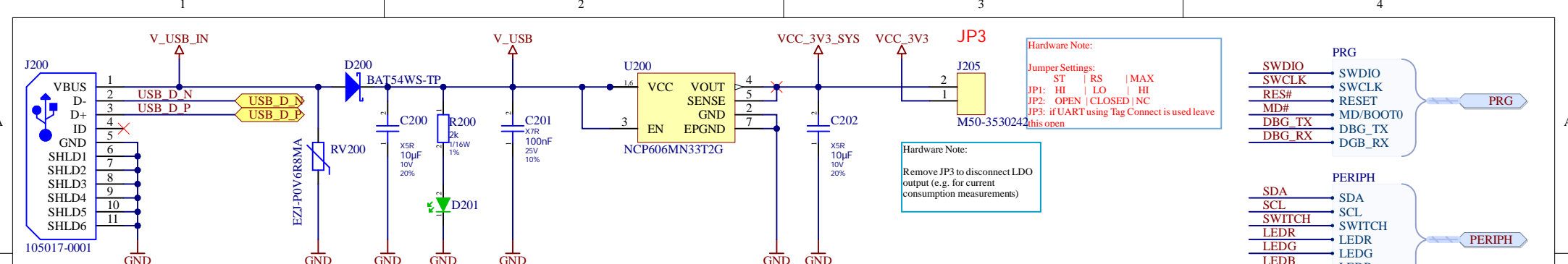
Hardware Note:
Notes regarding the Hardware - e.g. Function


Software Note:
Notes regarding the Software - e.g. Function, Address

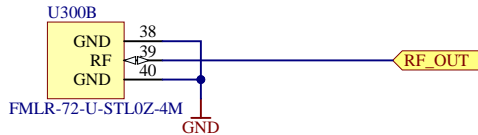
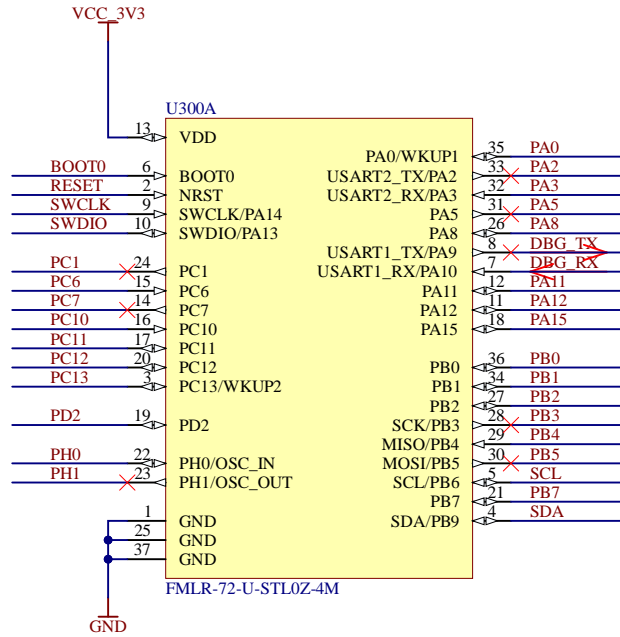
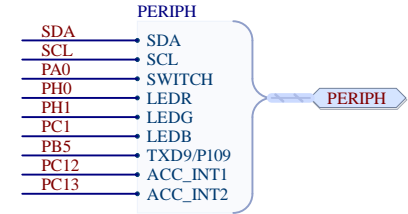
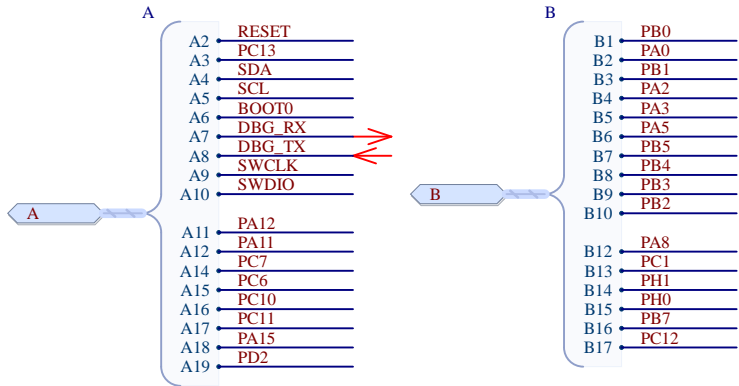
PCB Design Note:
Notes regarding the PCB Design - e.g. specific Design requirement




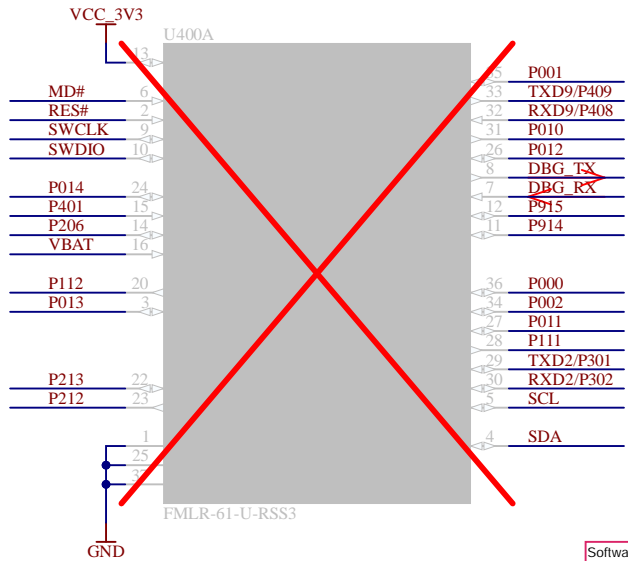
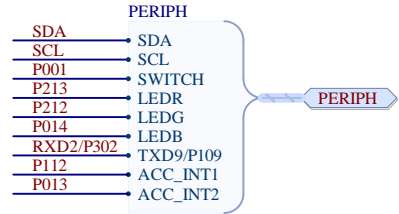
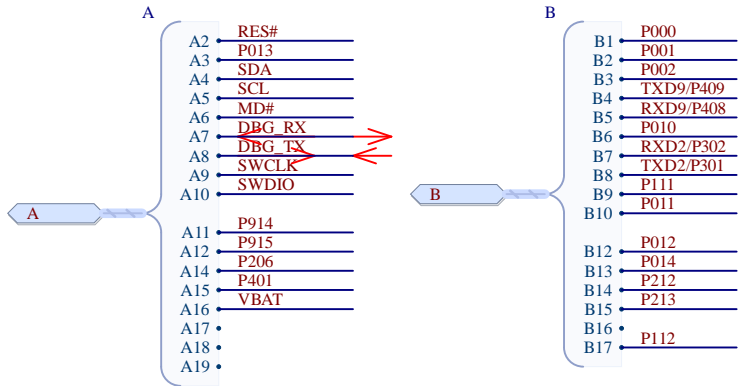
Schema Title: Overview		Author: DS	 <small>(C) Miromico - Gallusstrasse 4 - 8006 Zuerich</small>
Project: P344	PCB-No.: 344005	Co-Author: SU	
PCB Name: Development Board	Revision: 7, x, 1	Reviewer: SU	
Customer: Miromico	Project State: Prototype	Checked by:-	
Date: 12/05/2022	Time: 19:39:21	Sheet: 1 of 9	Doc Name: 01 - Overview.SchDoc



Schema Title: MCU		Author: DS	 (C) Miromico - Gallusstrasse 4 - 8006 Zuerich
Project: P344	PCB-No.: 344005	Co-Author: SU	
PCB Name: Development Board	Revision: 7_x_1	Reviewer: SU	
Customer: Miromico	Project State: Prototype	Checked by:-	
Date: 12/05/2022	Time: 19:39:21	Sheet: 2 of 9	



Schema Title: MCU		Author: DS	 (C) Miromico - Gallusstrasse 4 - 8006 Zuerich
Project: P344	PCB-No.: 344005	Co-Author: SU	
PCB Name: Development Board	Revision: 7, x, 1	Reviewer: SU	
Customer: Miromico	Project State: Prototype	Checked by:-	
Date: 12/05/2022	Time: 19:39:21	Sheet: 3 of 9	
Doc Name: 03-FMLR-72-x-STLx.SchDoc		A4	

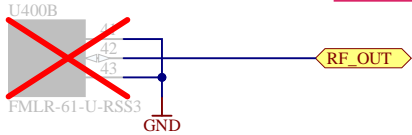


Software Note:

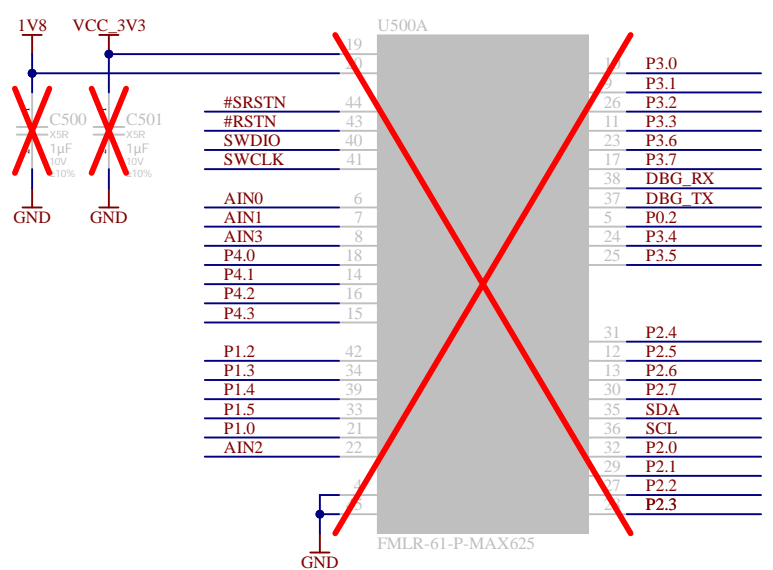
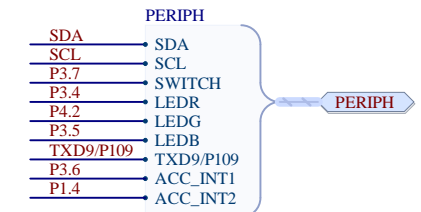
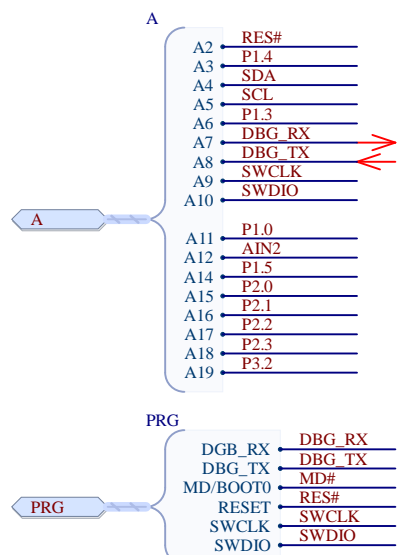
Programming Modes:

P407 Low - UART programming

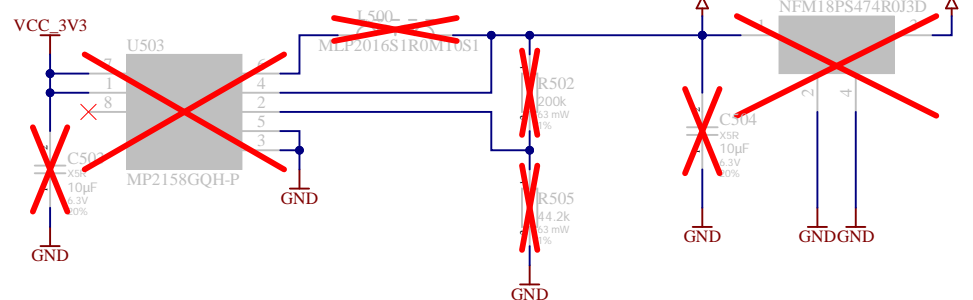
P407 High - USB programming




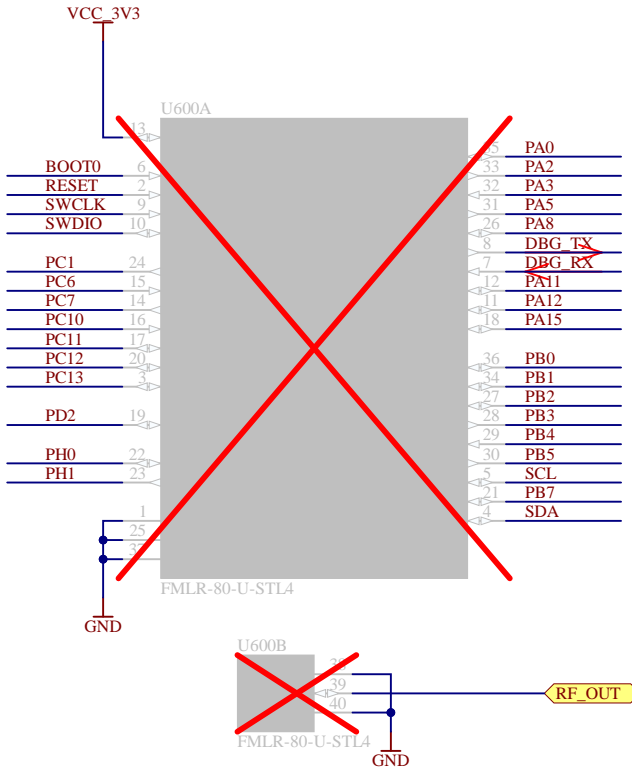
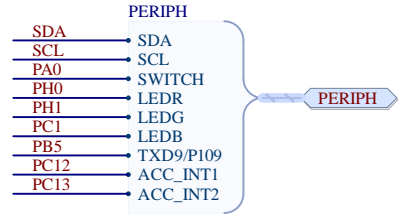
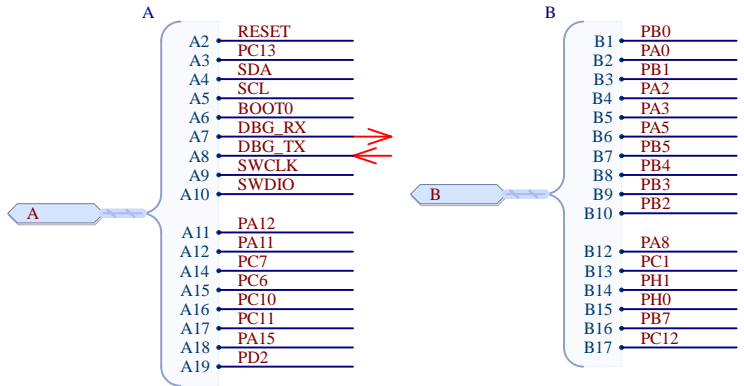
Schema Title: MCU		Author: DS	<p>(C) Miomico - Gallusstrasse 4 - 8006 Zuerich</p>
Project: P344	PCB-No.: 344005	Co-Author: SU	
PCB Name: Development Board	Revision: 7, x, 1	Reviewer: SU	
Customer: Miomico	Project State: Prototype	Checked by:-	
Date: 12/05/2022	Time: 19:39:22	Sheet: 4 of 9	
Doc Name: 04 - FMLR-61-x-RSSx.SchDoc		A4	




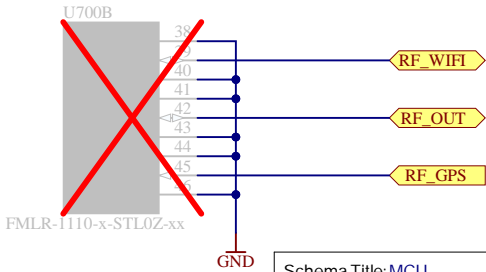
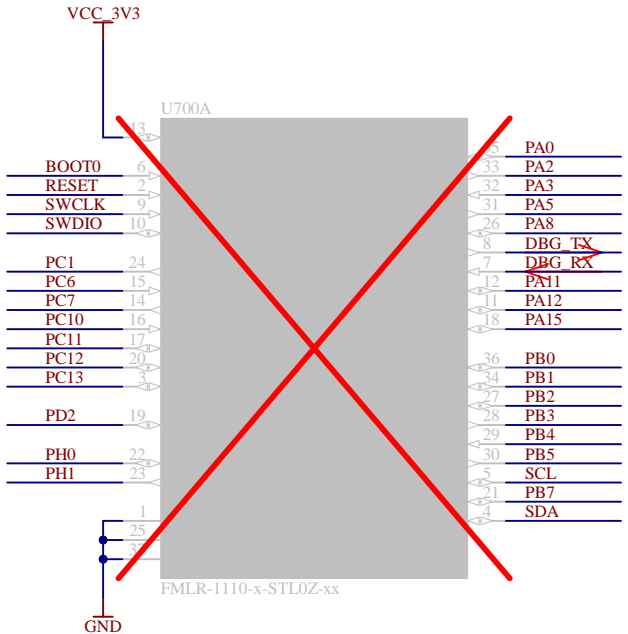
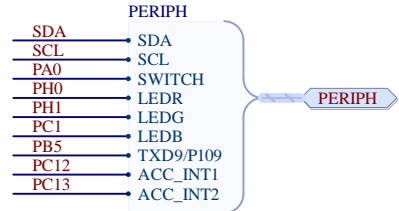
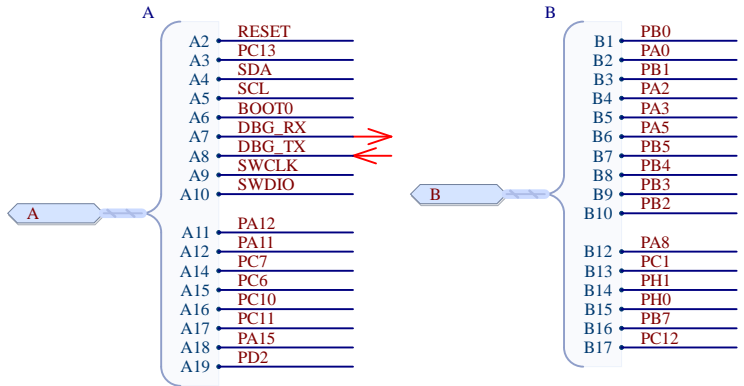
Power Supply




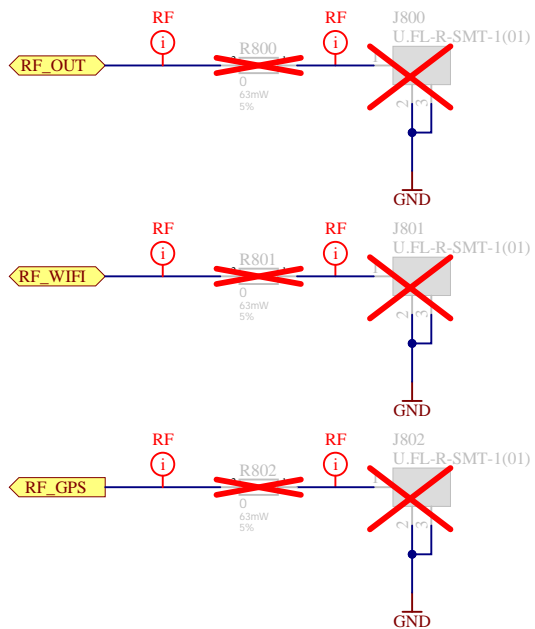
Schema Title: MCU		Author: DS	 (C) Miromico - Gallusstrasse 4 - 8006 Zuerich
Project: P344	PCB-No.: 344005	Co-Author: SU	
PCB Name: Development Board	Revision: 7, x, 1	Reviewer: SU	
Customer: Miromico	Project State: Prototype	Checked by:-	
Date: 12/05/2022	Time: 19:39:22	Sheet: 5 of 9	Doc Name: 05-FMLR-61-x-MA62x.SchDoc




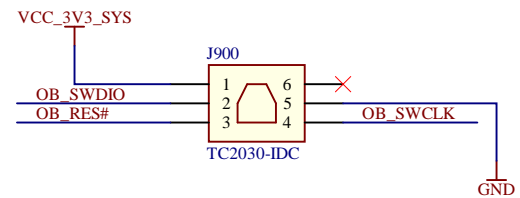
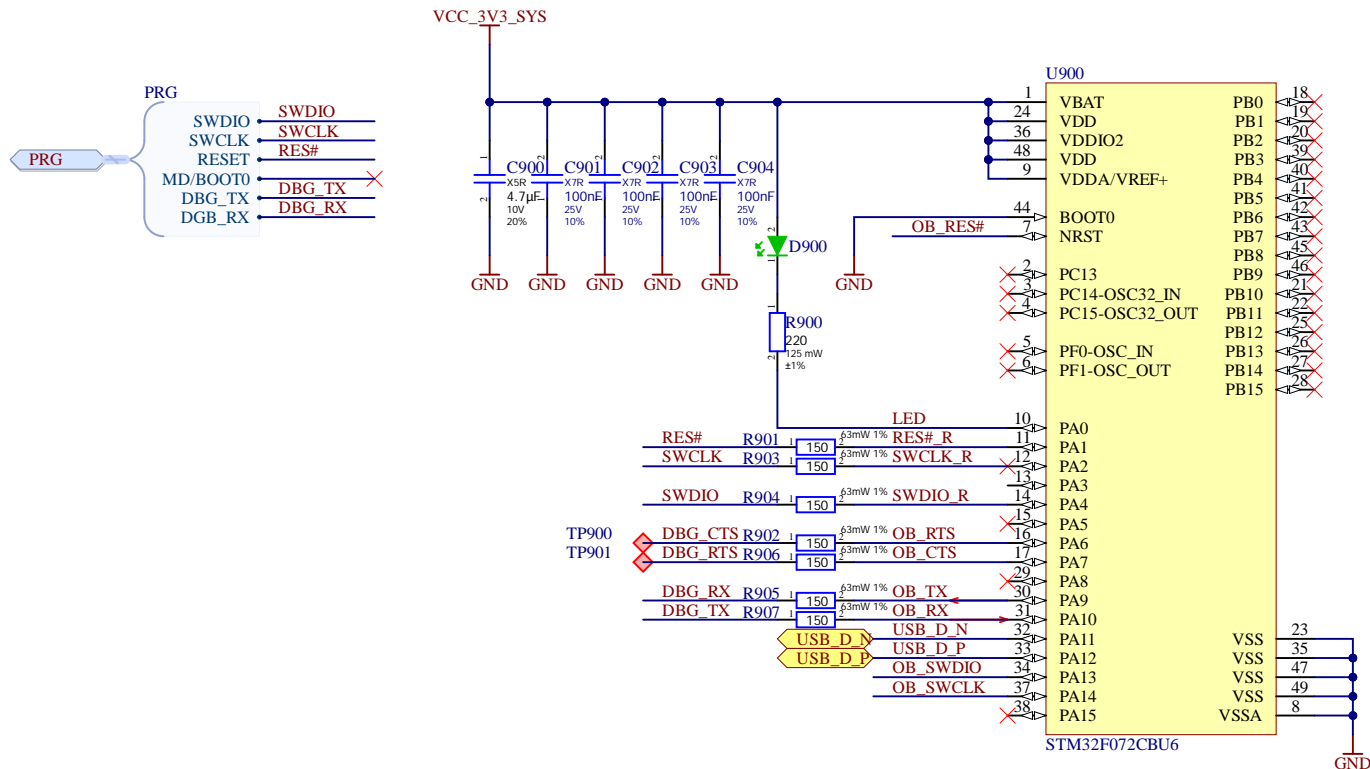
Schema Title: MCU		Author: DS	 miromico <small>(C) Miromico - Gallusstrasse 4 - 8006 Zuerich</small>
Project: P344	PCB-No.: 344005	Co-Author: SU	
PCB Name: Development Board	Revision: 7, x, 1	Reviewer: SU	
Customer: Miromico	Project State: Prototype	Checked by:-	
Date: 12/05/2022	Time: 19:39:22	Sheet: 6 of 9	
Doc Name: 06-FMLR-80-x-STLx.SchDoc		A4	




Schema Title: MCU		Author: DS	 (C) Miromico - Gallusstrasse 4 - 8006 Zuerich
Project: P344	PCB-No.: 344005	Co-Author: SU	
PCB Name: Development Board	Revision: 7, x, 1	Reviewer: SU	
Customer: Miromico	Project State: Prototype	Checked by:-	
Date: 12/05/2022	Time: 19:39:22	Sheet: 7 of 9	Doc Name: 07-FMLR-1110-x-STLx.SchDoc



Schema Title: MCU		Author: DS	 <small>(C) Miromico - Gallusstrasse 4 - 8006 Zuerich</small>
Project: P344	PCB-No.: 344005	Co-Author: SU	
PCB Name: Development Board	Revision: 7, x, 1	Reviewer: SU	
Customer: Miromico	Project State: Prototype	Checked by:-	
Date: 12/05/2022	Time: 19:39:22	Sheet: 8 of 9	



PCB Design Note:
 Factory programming port - place
 on bottom side of PCB

Schema Title: On-Chip Debugger		Author: DS	 (C) Miomico - Gallusstrasse 4 - 8006 Zuerich
Project: P344	PCB-No.: 344005	Co-Author: SU	
PCB Name: Development Board	Revision: 7, x, 1	Reviewer: SU	
Customer: Miomico	Project State: Prototype	Checked by:-	
Date: 12/05/2022	Time: 19:39:22	Sheet: 9 of 9	
Doc Name: 09 - Debugger.SchDoc		A4	