

| Revision | Date | Description | Signed |
|----------|------------|---|--------|
| 1.0 | 17.06.2019 | initial project creation | DS |
| 2.0 | 1.10.2019 | replaced senslab chip with FTDI | DS |
| 2.1 | 25.11.2019 | changed project name, changed renesas jumper variant | SU |
| 3.0 | 19.12.2019 | solder jumper replaced with tht jumper | DS |
| 4.0 | 30.11.2020 | added Maxim Module to Dev Board | DS |
| 5.0 | 11.01.2021 | added RF matching for MAXIM Module | DS |
| 6.0 | 27.07.2021 | change maxim module dcdc converter add SX1280 module | SU |
| 7.G | 13.04.2022 | Add Segger on-board debugger | LP |

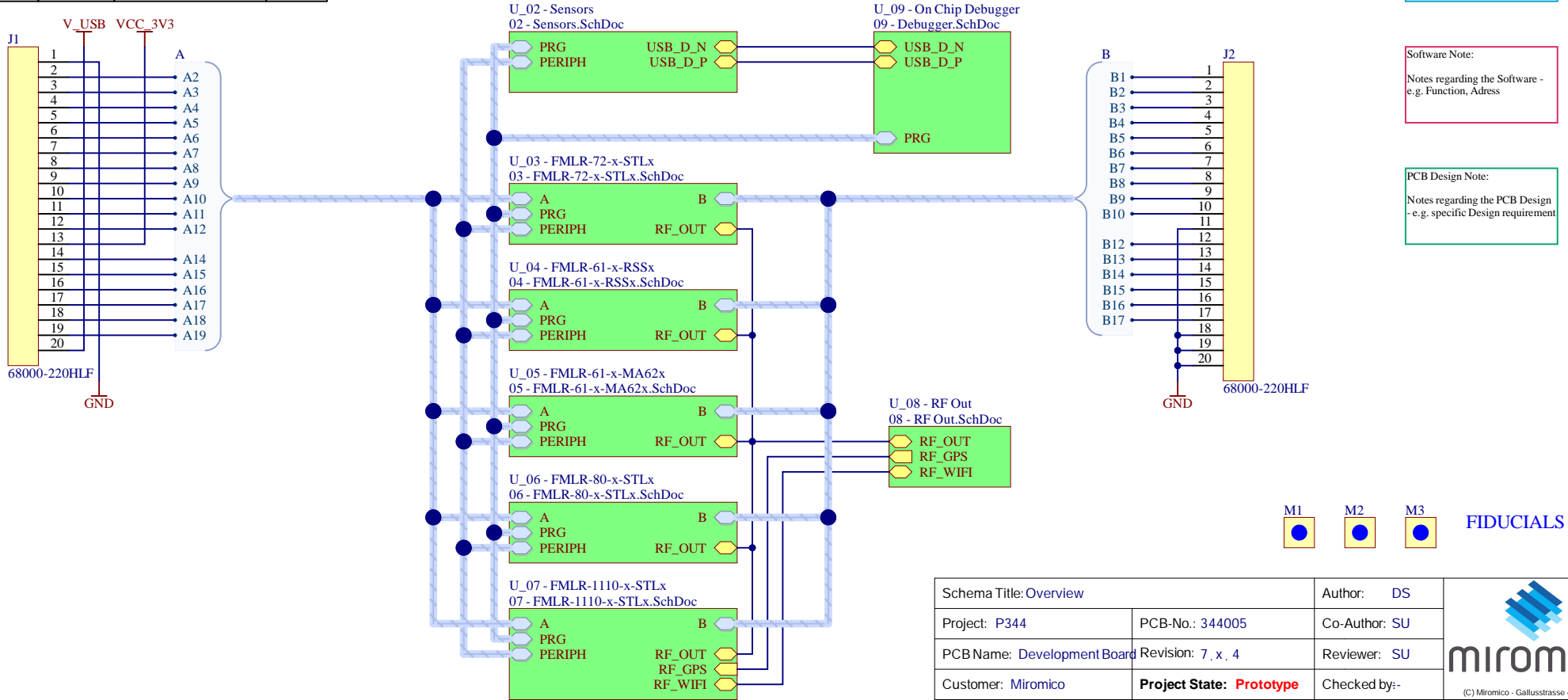
| Variant | Name | Description | Date | Signed |
|---------|-----------|-----------------------------|------------|--------|
| 1 | STM32 | STM32 Module will be used | 17.06.2019 | DS |
| 2 | Renesas | Renesas Module will be used | 17.06.2019 | DS |
| 3 | Maxim | Maxim Module will be used | 20.11.2020 | DS |
| 4 | FMLR-80 | SX1280 Module will be used | 27.07.2021 | SU |
| 5 | FMLR-1110 | LR1110 Module will be used | 27.07.2021 | SU |


Variant used for output data: 4

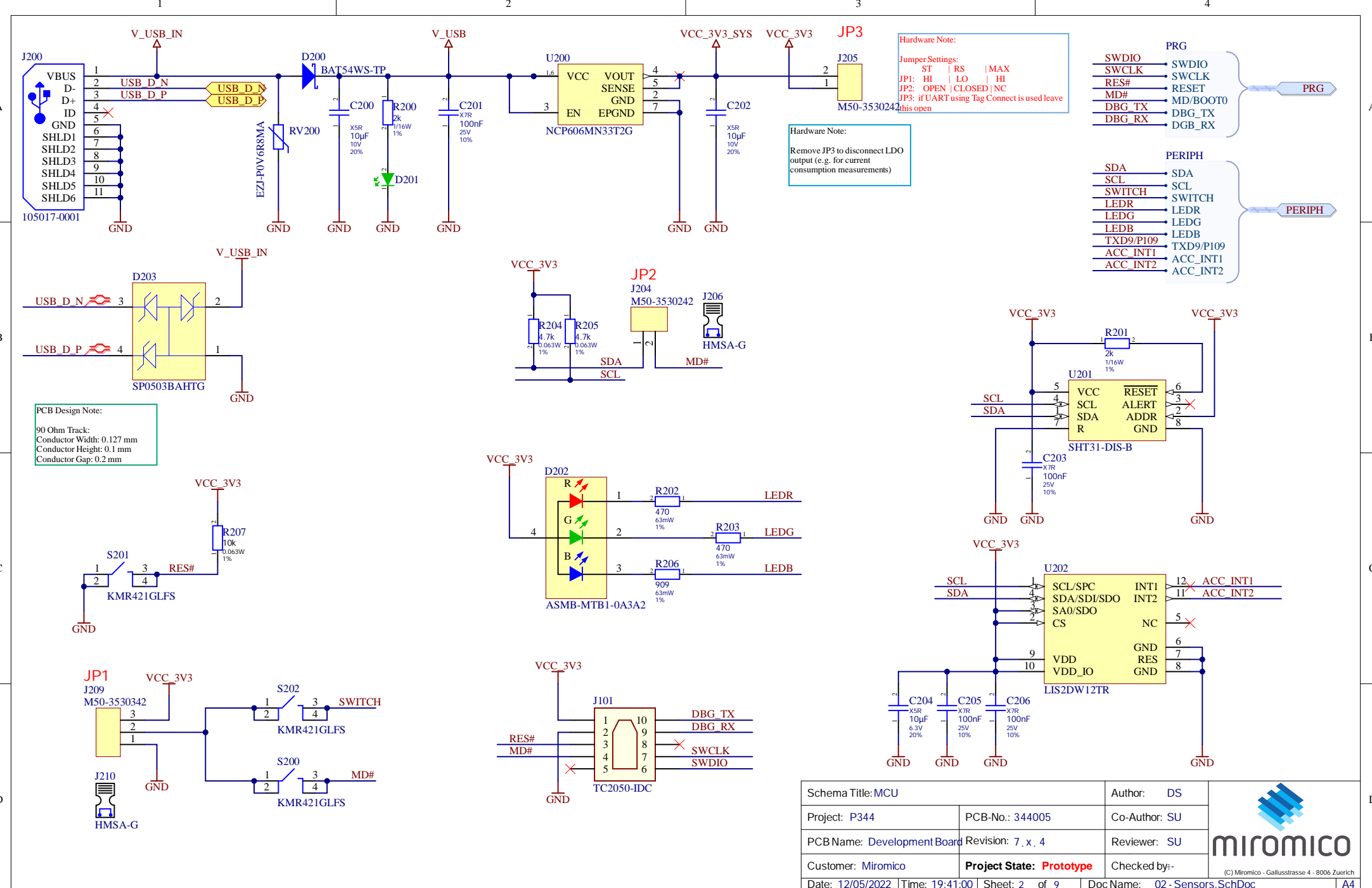
Hardware Note:
Notes regarding the Hardware - e.g. Function


Software Note:
Notes regarding the Software - e.g. Function, Address

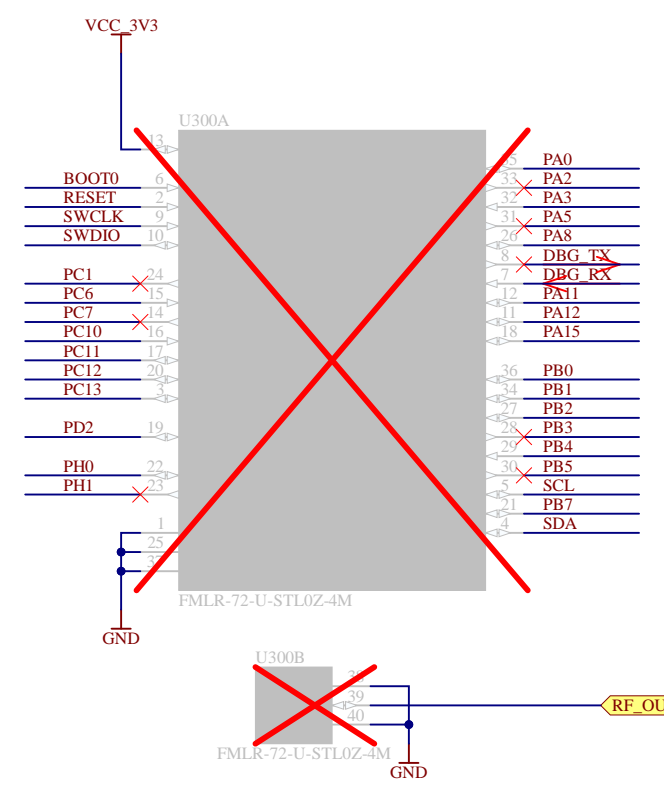
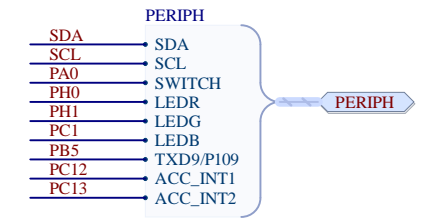
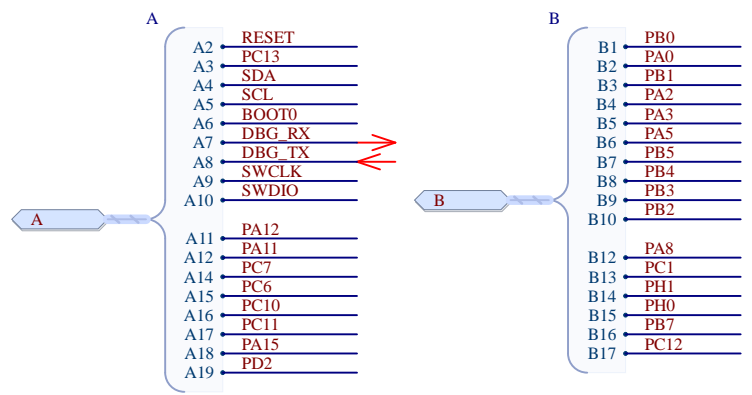
PCB Design Note:
Notes regarding the PCB Design - e.g. specific Design requirement




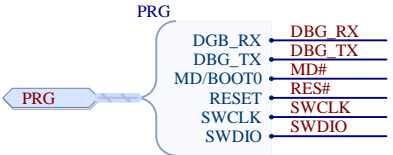
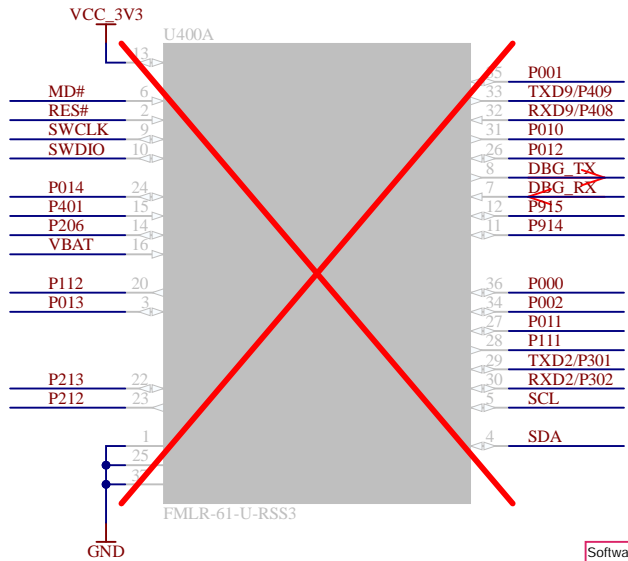
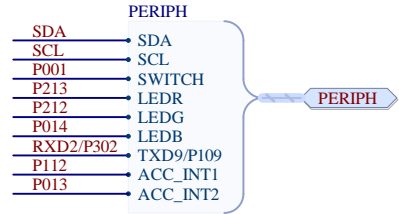
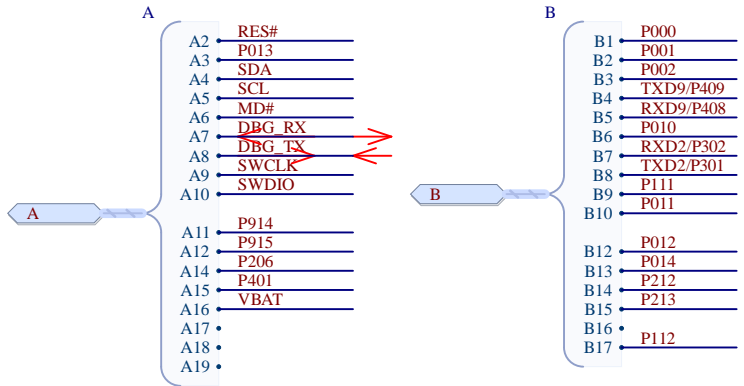
| | | | |
|--------------------------------|---------------------------------|---------------|---|
| Schema Title: Overview | | Author: DS |  |
| Project: P344 | PCB-No.: 344005 | Co-Author: SU | |
| PCB Name: Development Board | Revision: 7, x, 4 | Reviewer: SU | <small>(C) Miromico - Gallusstrasse 4 - 8006 Zuerich</small> |
| Customer: Miromico | Project State: Prototype | Checked by:- | |
| Date: 12/05/2022 | Time: 19:41:00 | Sheet: 1 of 9 | |
| Doc Name: 01 - Overview.SchDoc | | A4 | |



| | | | |
|-----------------------------|---------------------------------|---------------|--|
| Schema Title: MCU | | Author: DS |  (C) Miromico - Gallusstrasse 4 - 8006 Zuerich |
| Project: P344 | PCB-No.: 344005 | Co-Author: SU | |
| PCB Name: Development Board | Revision: 7. x. 4 | Reviewer: SU | |
| Customer: Miromico | Project State: Prototype | Checked by:- | |
| Date: 12/05/2022 | Time: 19:41:00 | Sheet: 2 of 9 | |



| | | | |
|------------------------------------|---------------------------------|---------------|---|
| Schema Title: MCU | | Author: DS |  (C) Miomico - Gallusstrasse 4 - 8006 Zuerich |
| Project: P344 | PCB-No.: 344005 | Co-Author: SU | |
| PCB Name: Development Board | Revision: 7, x, 4 | Reviewer: SU | |
| Customer: Miomico | Project State: Prototype | Checked by:- | |
| Date: 12/05/2022 | Time: 19:41:00 | Sheet: 3 of 9 | |
| Doc Name: 03-FMLR-72-x-STLx.SchDoc | | A4 | |

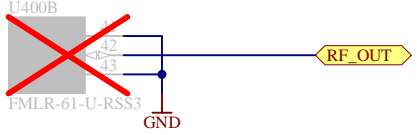


Software Note:

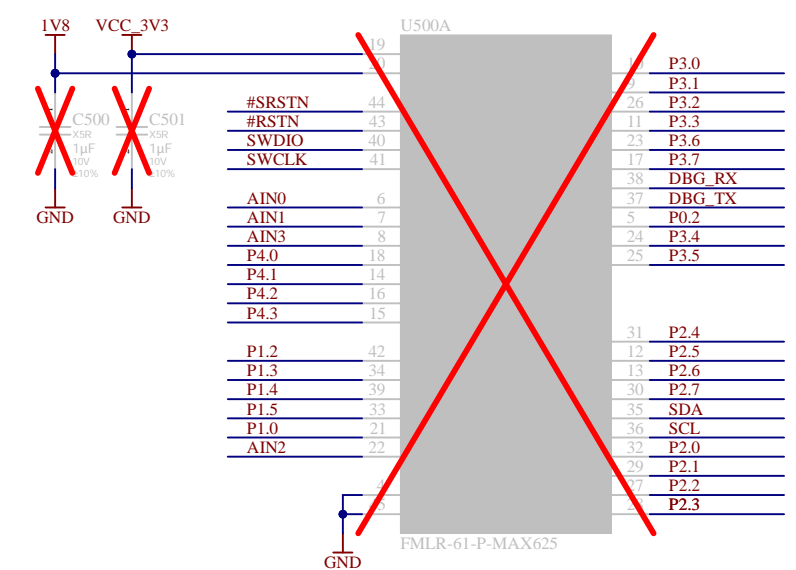
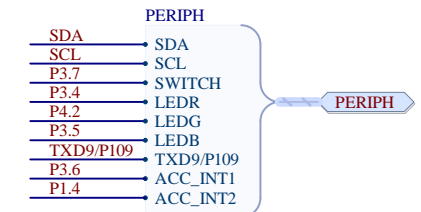
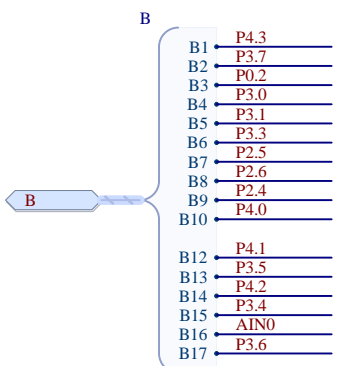
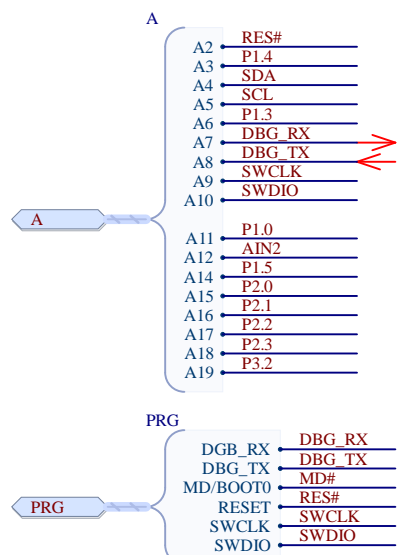
Programming Modes:

P407 Low - UART programming

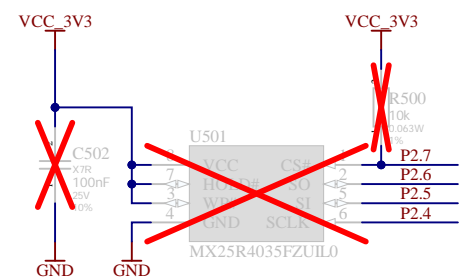
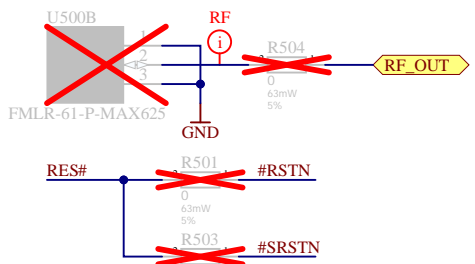
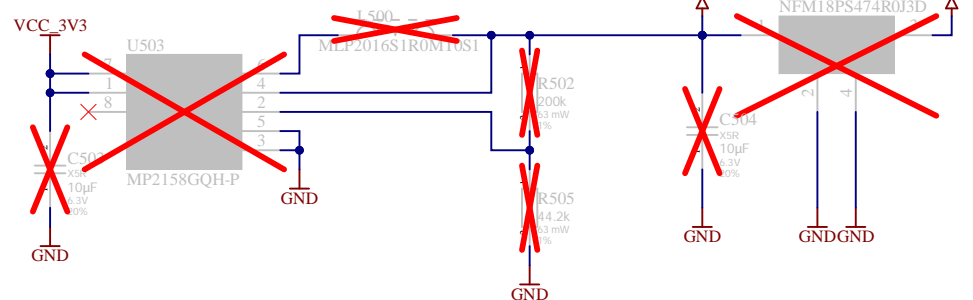
P407 High - USB programming



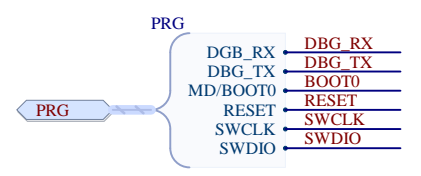
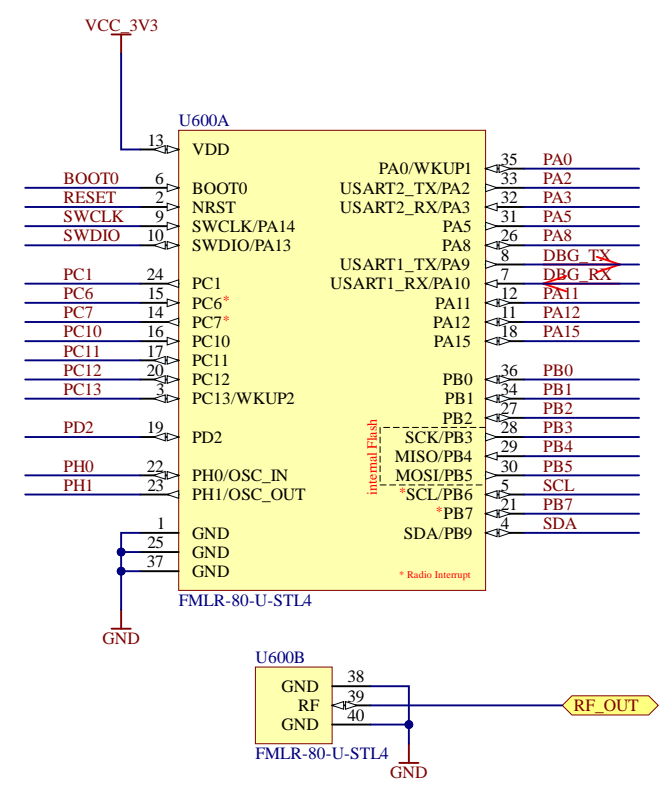
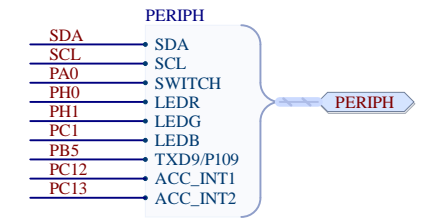
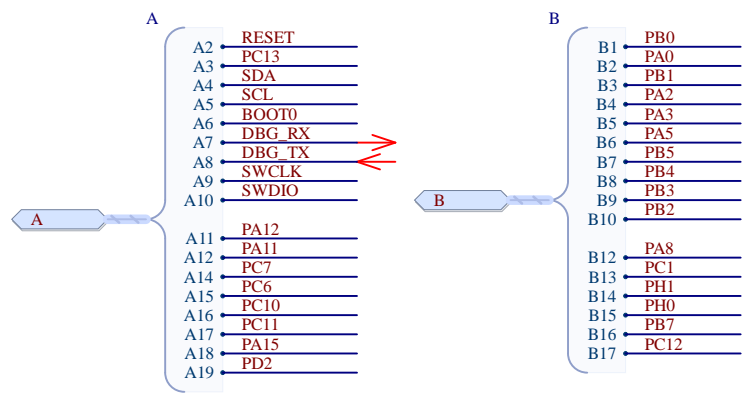
| | | | |
|--------------------------------------|---------------------------------|---------------|---|
| Schema Title: MCU | | Author: DS | <p>(C) Miomico - Gallusstrasse 4 - 8006 Zuerich</p> |
| Project: P344 | PCB-No.: 344005 | Co-Author: SU | |
| PCB Name: Development Board | Revision: 7, x, 4 | Reviewer: SU | |
| Customer: Miomico | Project State: Prototype | Checked by:- | |
| Date: 12/05/2022 | Time: 19:41:00 | Sheet: 4 of 9 | |
| Doc Name: 04 - FMLR-61-x-RSSx.SchDoc | | A4 | |




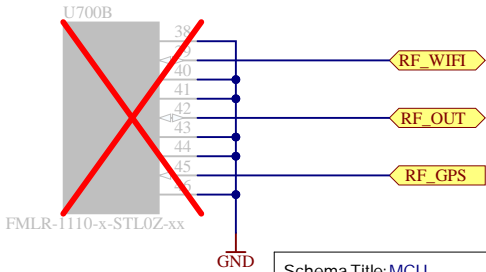
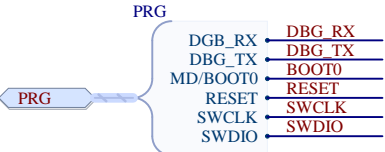
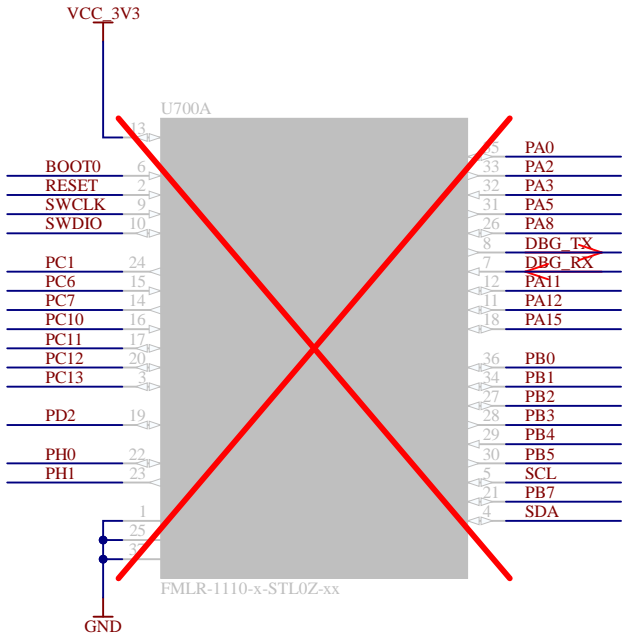
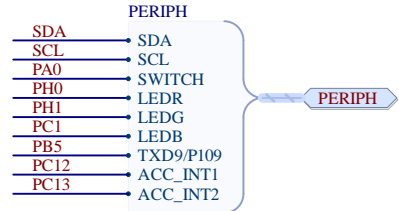
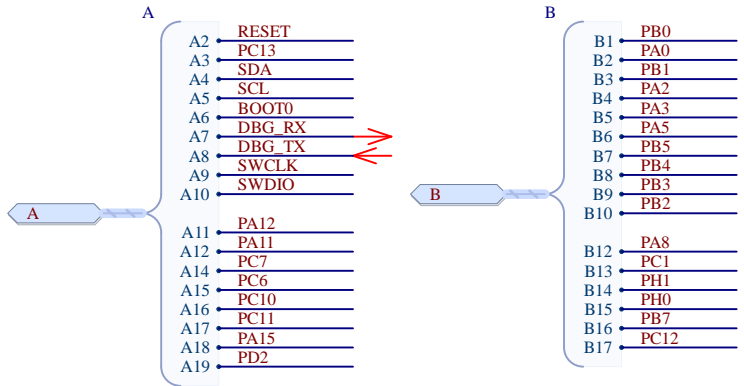
Power Supply




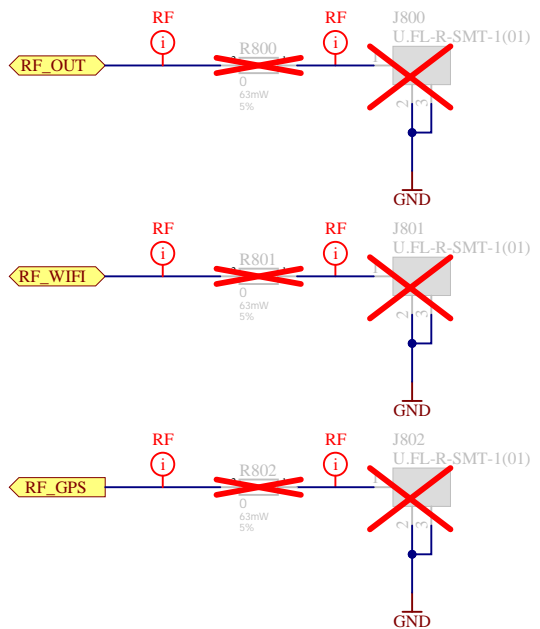
| | | | |
|-----------------------------|---------------------------------|---------------|---|
| Schema Title: MCU | | Author: DS | (C) Miromico - Gallusstrasse 4 - 8006 Zuerich |
| Project: P344 | PCB-No.: 344005 | Co-Author: SU | |
| PCB Name: Development Board | Revision: 7, x, 4 | Reviewer: SU | |
| Customer: Miromico | Project State: Prototype | Checked by:- | |
| Date: 12/05/2022 | Time: 19:41:00 | Sheet: 5 of 9 | Doc Name: 05-FMLR-61-x-MA62x.SchDoc |




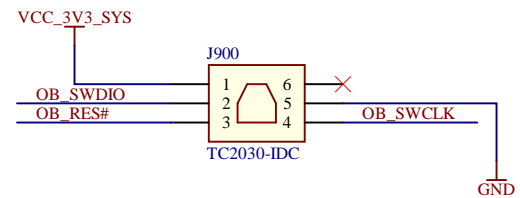
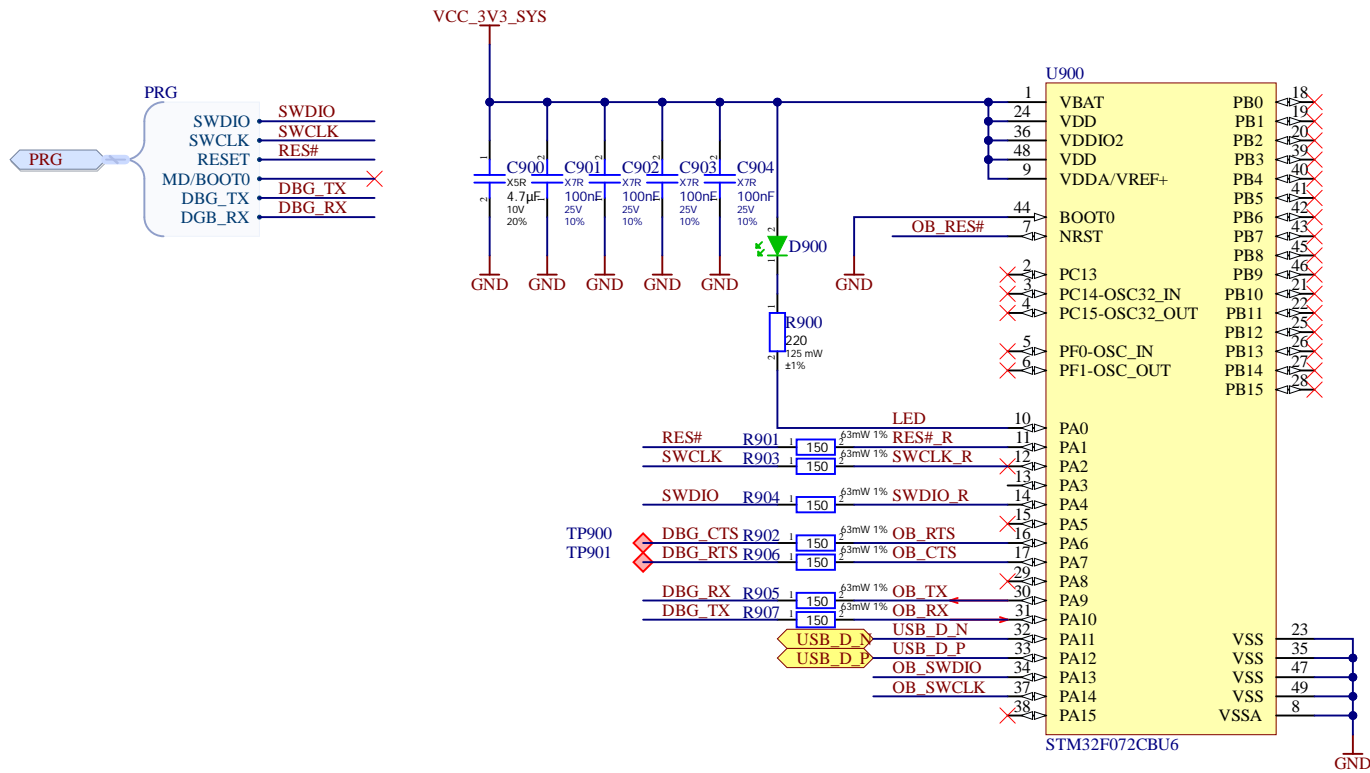
| | | | |
|------------------------------------|---------------------------------|---------------|--|
| Schema Title: MCU | | Author: DS |  (C) Miromico - Gallusstrasse 4 - 8006 Zuerich |
| Project: P344 | PCB-No.: 344005 | Co-Author: SU | |
| PCB Name: Development Board | Revision: 7, x, 4 | Reviewer: SU | |
| Customer: Miromico | Project State: Prototype | Checked by:- | |
| Date: 12/05/2022 | Time: 19:41:00 | Sheet: 6 of 9 | |
| Doc Name: 06-FMLR-80-x-STLx.SchDoc | | A4 | |




| | | | |
|--------------------------------------|---------------------------------|---------------|--|
| Schema Title: MCU | | Author: DS |  (C) Miromico - Gallusstrasse 4 - 8006 Zuerich |
| Project: P344 | PCB-No.: 344005 | Co-Author: SU | |
| PCB Name: Development Board | Revision: 7, x, 4 | Reviewer: SU | |
| Customer: Miromico | Project State: Prototype | Checked by:- | |
| Date: 12/05/2022 | Time: 19:41:01 | Sheet: 7 of 9 | |
| Doc Name: 07-FMLR-1110-x-STLx.SchDoc | | A4 | |



| | | | |
|-----------------------------|---------------------------------|---------------|---|
| Schema Title: MCU | | Author: DS |  <small>(C) Miromico - Gallusstrasse 4 - 8006 Zuerich</small> |
| Project: P344 | PCB-No.: 344005 | Co-Author: SU | |
| PCB Name: Development Board | Revision: 7, x, 4 | Reviewer: SU | |
| Customer: Miromico | Project State: Prototype | Checked by:- | |
| Date: 12/05/2022 | Time: 19:41:01 | Sheet: 8 of 9 | |



PCB Design Note:
Factory programming port - place on bottom side of PCB

| | | | |
|--------------------------------|---------------------------------|---------------|--|
| Schema Title: On-Chip Debugger | | Author: DS |  (C) Miromico - Gallusstrasse 4 - 8006 Zuerich |
| Project: P344 | PCB-No.: 344005 | Co-Author: SU | |
| PCB Name: Development Board | Revision: 7, x, 4 | Reviewer: SU | |
| Customer: Miromico | Project State: Prototype | Checked by:- | |
| Date: 12/05/2022 | Time: 19:41:01 | Sheet: 9 of 9 | |
| Doc Name: 09 - Debugger.SchDoc | | A4 | |