

Revision	Date	Description	Signed
1.0	17.06.2019	initial project creation	DS
2.0	1.10.2019	replaced senslab chip with FTDI	DS
2.1	25.11.2019	changed project name, changed renesas jumper variant	SU
3.0	19.12.2019	solder jumper replaced with tht jumper	DS
4.0	30.11.2020	added Maxim Module to Dev Board	DS
5.0	11.01.2021	added RF matching for MAXIM Module	DS

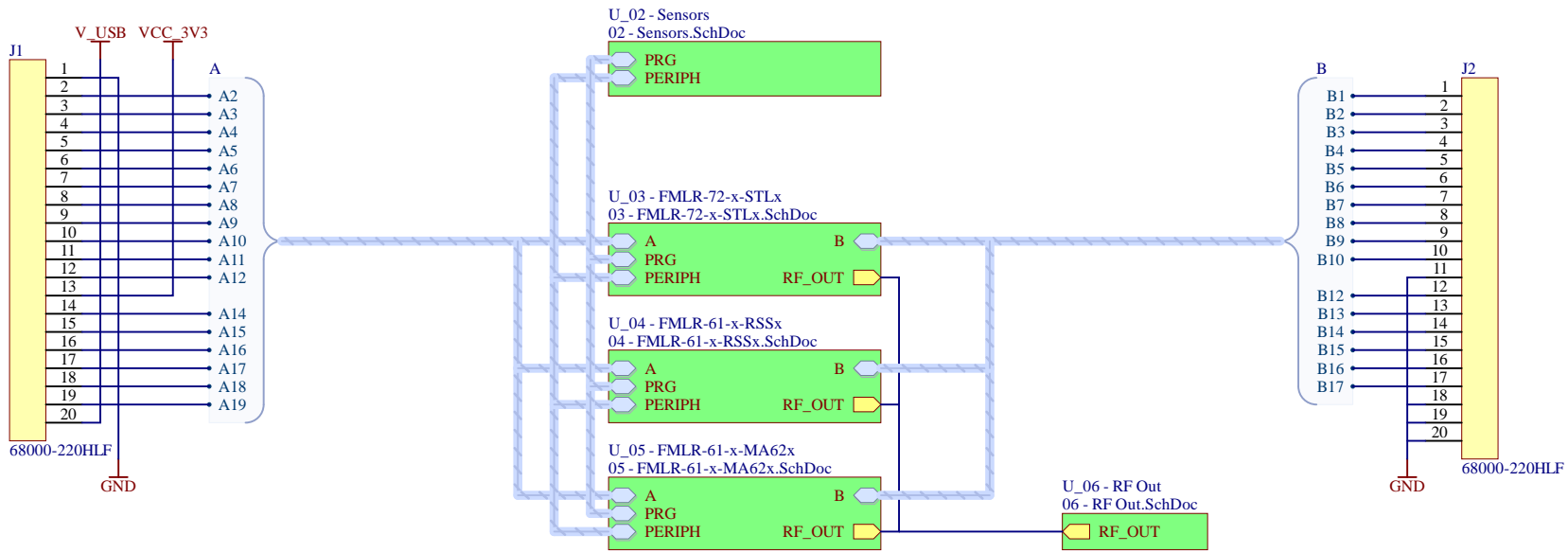
Variant	Description	Date	Signed
STM32	STM32 Module will be used	17.06.2019	DS
Renesas	Renesas Module will be used	17.06.2019	DS
Maxim	Maxim Module will be used	20.11.2020	DS

Variant used for output data: **STM32**

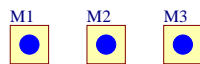
Hardware Note:  
Notes regarding the Hardware - e.g. Function

Software Note:  
Notes regarding the Software - e.g. Function, Address

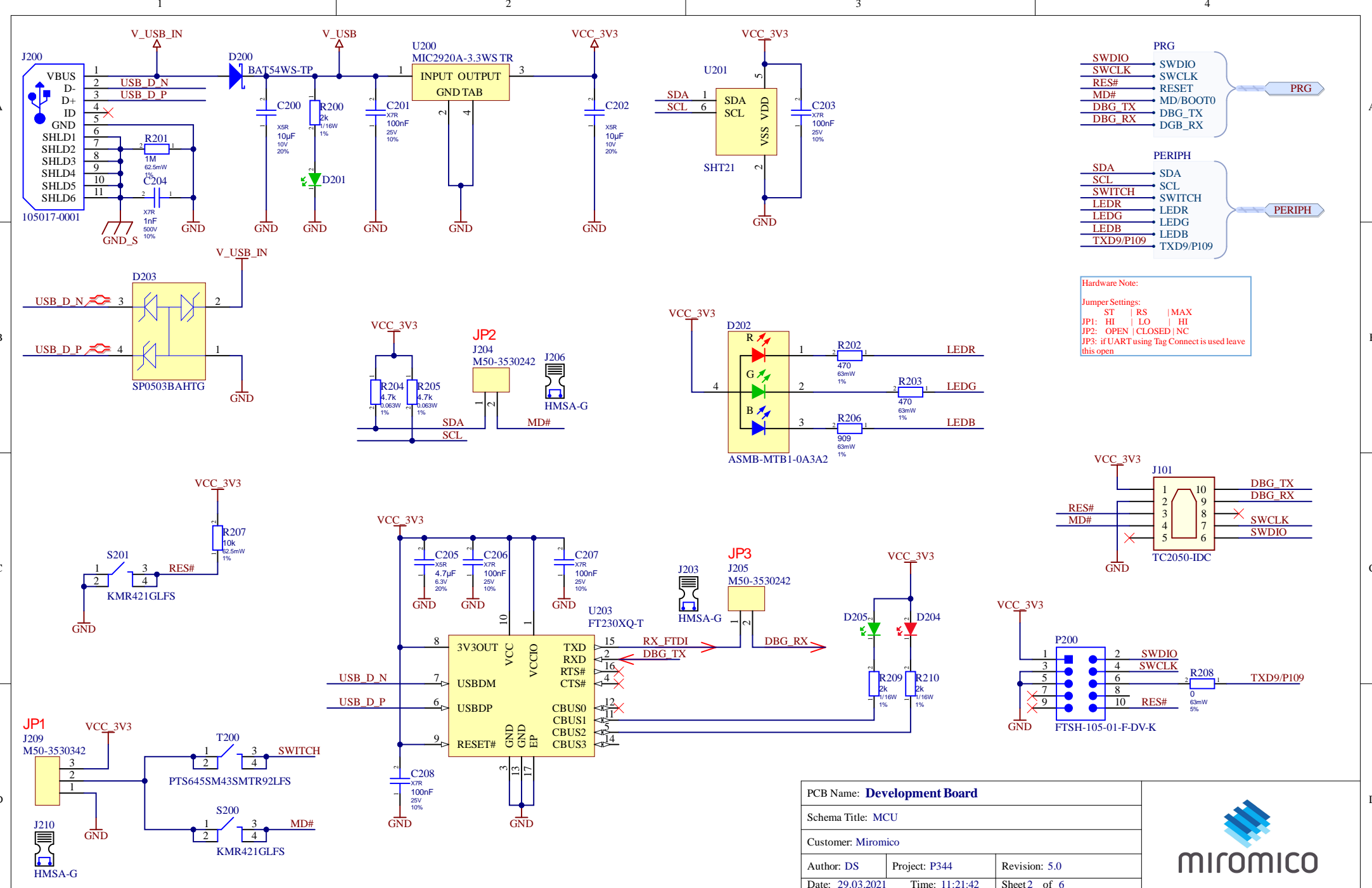
PCB Design Note:  
Notes regarding the PCB Design - e.g. specific Design requirement



**FIDUCIALS**



Schema Title: <b>Overview</b>		Author: DS	
Project: P344	PCB-No.: 344005-05	Co-Author: --	
PCB Name: Development Board	Variant: STM32	Reviewer: --	
Revision: 5.0	Customer: Miromico	Checked by: --	
Date: 29.03.2021	Time: 11:21:42	Sheet: 1 of 6	
Doc Name: 01 - Overview.SchDoc		A4	



- PRG**
- SWDIO → SWDIO
  - SWCLK → SWCLK
  - RESET → RESET
  - MD# → MD/BOOT0
  - DBG\_TX → DBG\_TX
  - DBG\_RX → DBG\_RX
- PERIPH**
- SDA → SDA
  - SCL → SCL
  - SWITCH → SWITCH
  - LEDR → LEDR
  - LEDG → LEDG
  - LEDB → LEDB
  - TXD9/P109 → TXD9/P109

**Hardware Note:**

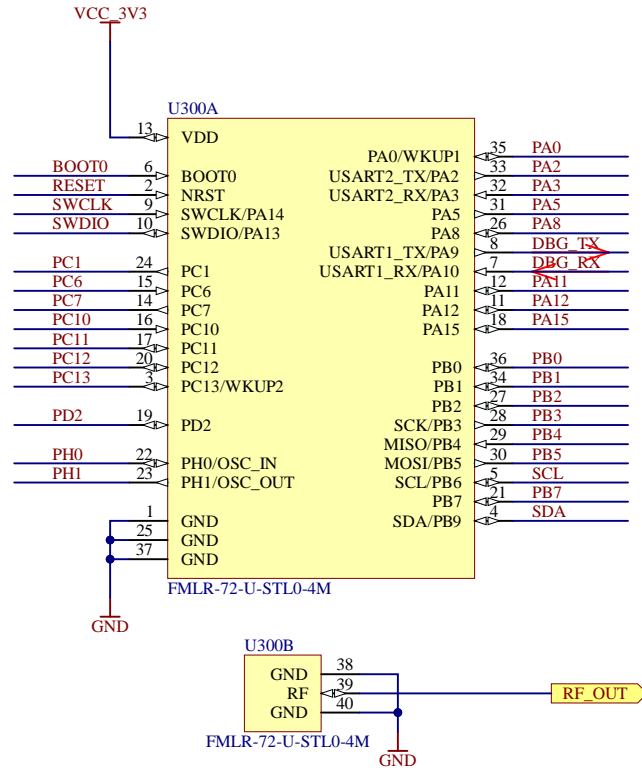
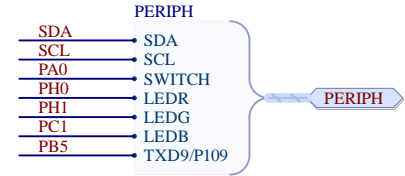
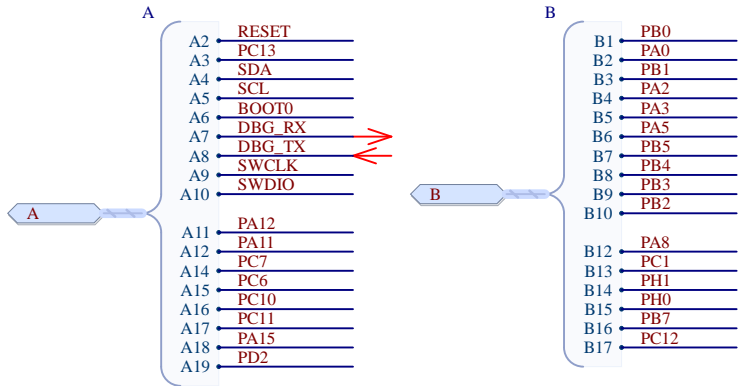
**Jumper Settings:**

ST	RS	MAX
----	----	-----

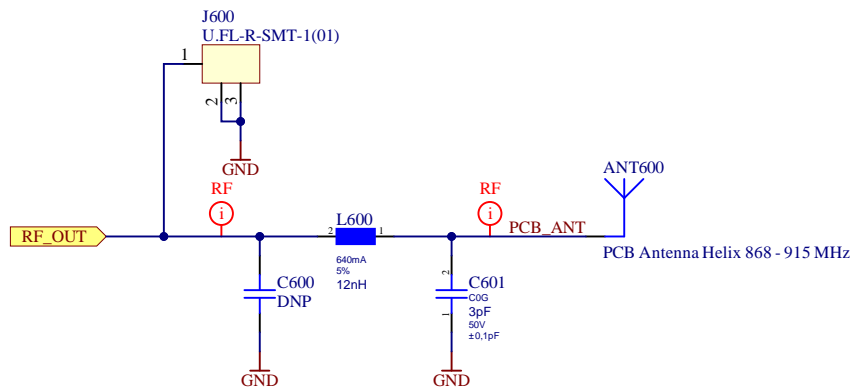
JP1: HI | LO | HI  
 JP2: OPEN | CLOSED | NC  
 JP3: if UART using Tag Connect is used leave this open


PCB Name: <b>Development Board</b>		
Schema Title: MCU		
Customer: Miromico		
Author: DS	Project: P344	Revision: 5.0
Date: 29.03.2021	Time: 11:21:42	Sheet 2 of 6





Schema Title: <b>MCU</b>		Author: <b>DS</b>	
Project: <b>P344</b>	PCB-No.: <b>344005-05</b>	Co-Author: <b>--</b>	
PCB Name: <b>Development Board</b>	Variant: <b>STM32</b>	Reviewer: <b>--</b>	
Revision: <b>5.0</b>	Customer: <b>Miromico</b>	Checked by: <b>--</b>	
Date: <b>29.03.2021</b>	Time: <b>11:21:42</b>	Sheet: <b>3</b> of <b>6</b>	
Doc Name: <b>03 - FMLR-72-x-STLx.SchDoc</b>		A4	



Schema Title: <b>MCU</b>		Author: <b>DS</b>	
Project: <b>P344</b>	PCB-No.: <b>344005-05</b>	Co-Author: <b>--</b>	
PCB Name: <b>Development Board</b>	Variant: <b>STM32</b>	Reviewer: <b>--</b>	
Revision: <b>5.0</b>	Customer: <b>Miromico</b>	Checked by: <b>--</b>	
Date: <b>29.03.2021</b>	Time: <b>11:21:42</b>	Sheet: <b>6</b> of <b>6</b>	Doc Name: <b>06 - RF Out.SchDoc</b>